

*(kit contents continue on following pages)*

**Read instructions and view illustrations before beginning.**

**Need help with your installation?**

 [sales@superatv.com](mailto:sales@superatv.com)  [www.superatv.com](http://www.superatv.com)

 1-812-574-7777  8:00am - 9:00pm EST M-Th  
 8:00am - 7:00pm EST Friday  
 9:00am - 2:00pm EST Saturday

*Thank You  
 For Choosing*



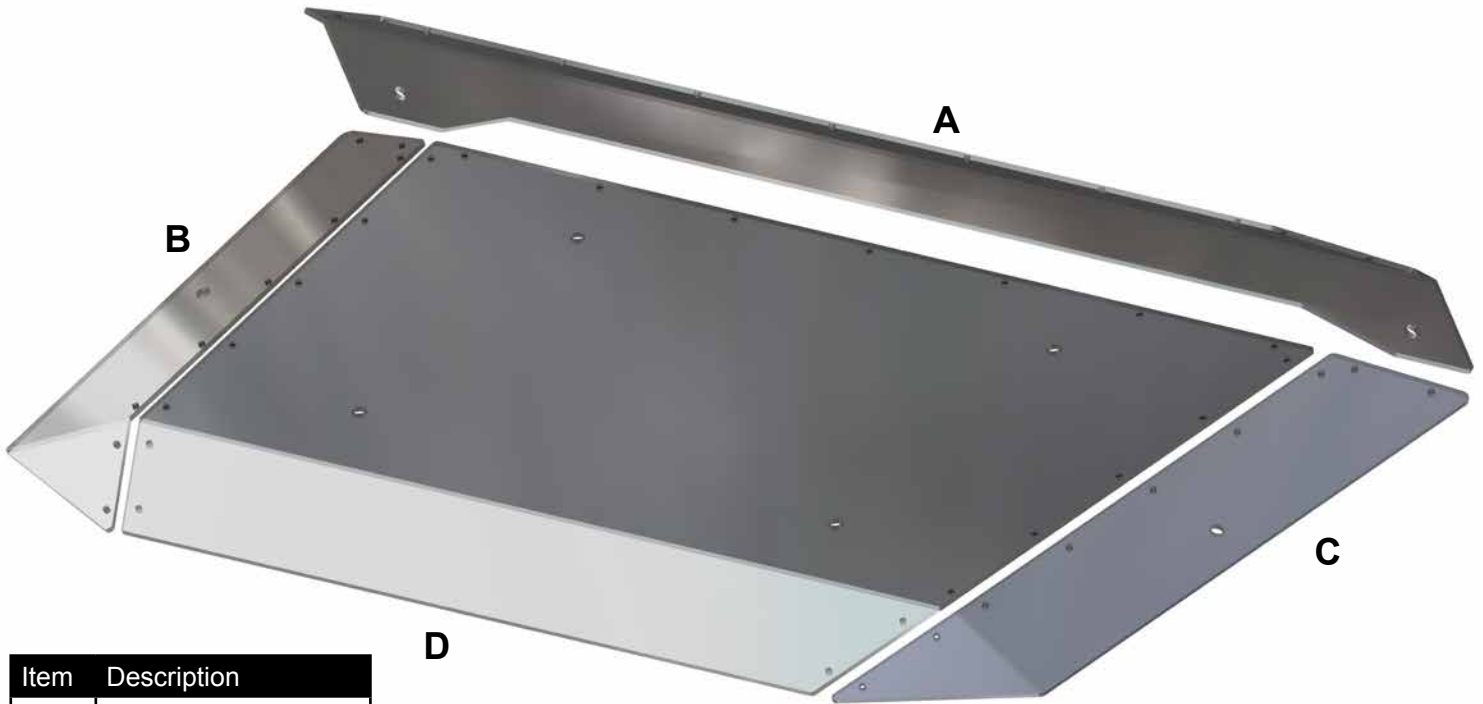
**Liability Statement**  
 SuperATV's® products are designed to best fit user's ATV/UTV under stock conditions. Adding, modifying, or fabricating any factory or aftermarket parts will void any warranty provided by SuperATV® and is not recommended. SuperATV's® products could interfere with other aftermarket accessories. If user has aftermarket products on machine, contact SuperATV® to verify that they will work together.

Although SuperATV® has thousands of satisfied customers, user should be aware that installing lift kits, long travel, or suspension kits, tires, etc. will change the ride of machine and may increase maintenance and part wear. Operating any off-road machine while, or after, consuming alcohol and/or drugs increases risk of bodily harm or death. No warranty or representation is made as to this product's ability to protect user from severe injury or death. SuperATV® urges operators and occupants to wear a helmet and appropriate riding gear at all times.

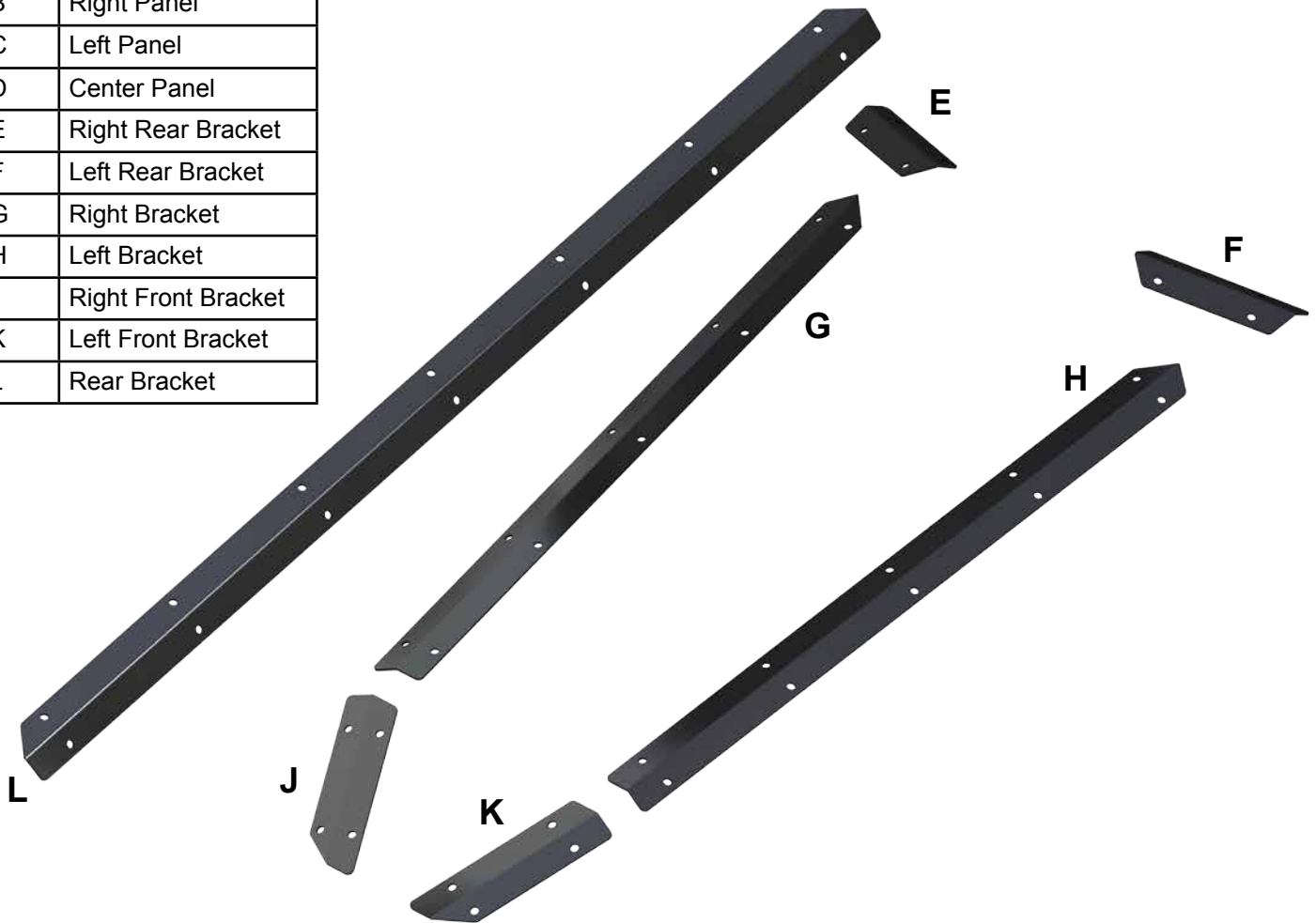
By purchasing and installing SuperATV® products, user agrees that should damages occur, SuperATV® will not be held responsible for loss of time, use, labor fees, replacement parts, or freight charges. SuperATV®, nor any 3rd party, will not be held responsible for any direct, indirect, incidental, special, or consequential damages that result from any product purchased from SuperATV®. The total liability of seller to user for all damages, losses, and causes of action, if any, shall not exceed the total purchase price paid for the product that gave rise to the claim.

SuperATV® will warranty only parts provided by SuperATV®. Any damage or problems with OEM housings, bearings, seals, or other manufacturers' products will not be covered by SuperATV®. SuperATV® parts and products are not warranted if item was not installed properly, misused, or modified.

(kit contents continued)



Item	Description
A	Rear Panel
B	Right Panel
C	Left Panel
D	Center Panel
E	Right Rear Bracket
F	Left Rear Bracket
G	Right Bracket
H	Left Bracket
J	Right Front Bracket
K	Left Front Bracket
L	Rear Bracket

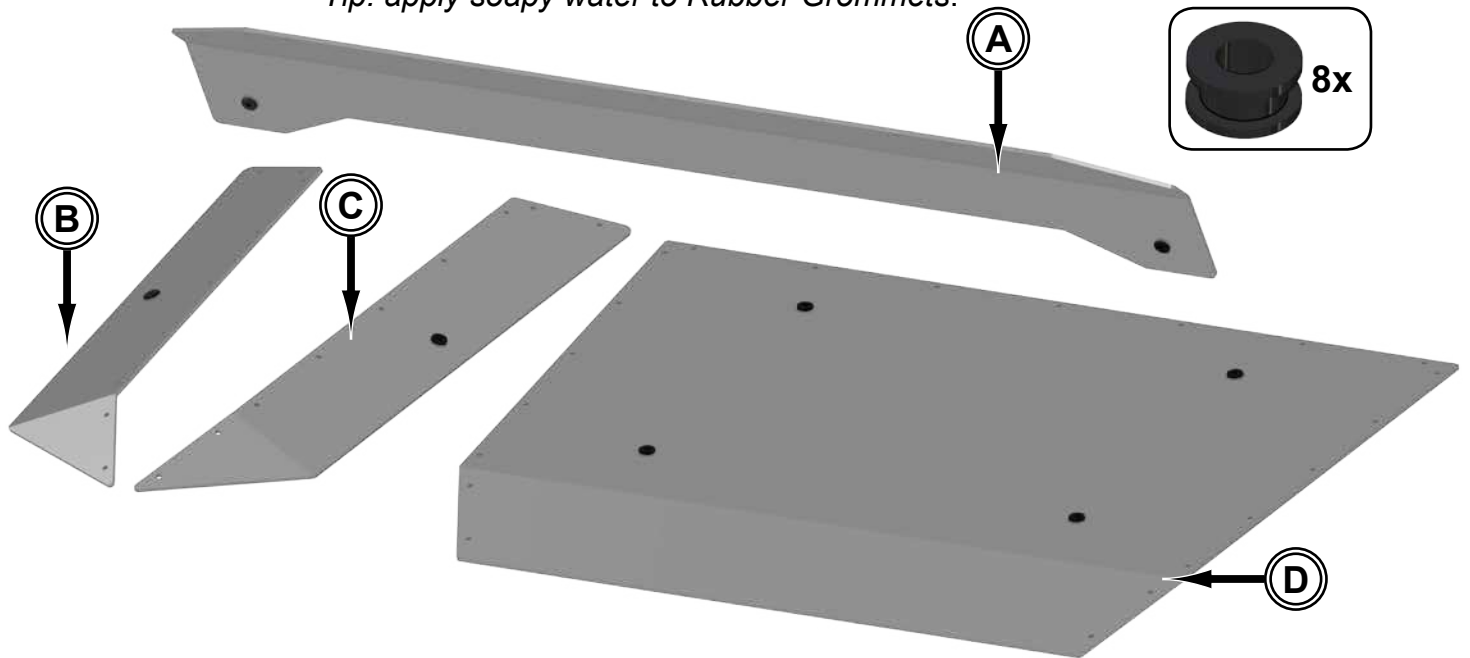


Reference Only; do not assemble at this time.



**install Grommets into holes in Panels**

*Tip: apply soapy water to Rubber Grommets.*

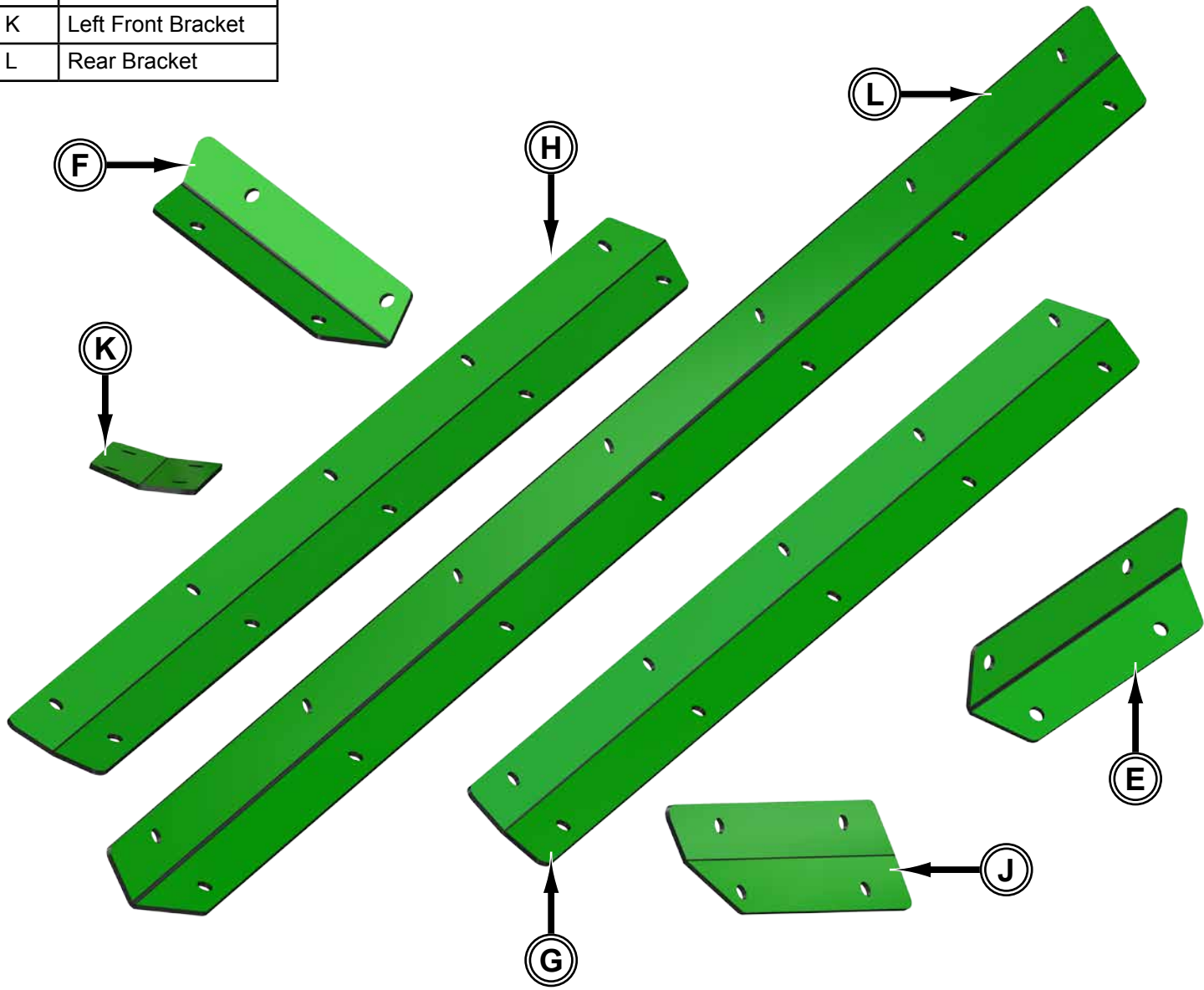
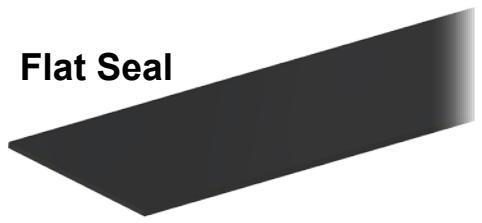


**Flat Seal installation:** *set aside when completed.*

- Install provided Flat Seal to highlighted sections shown on Brackets (E-L).

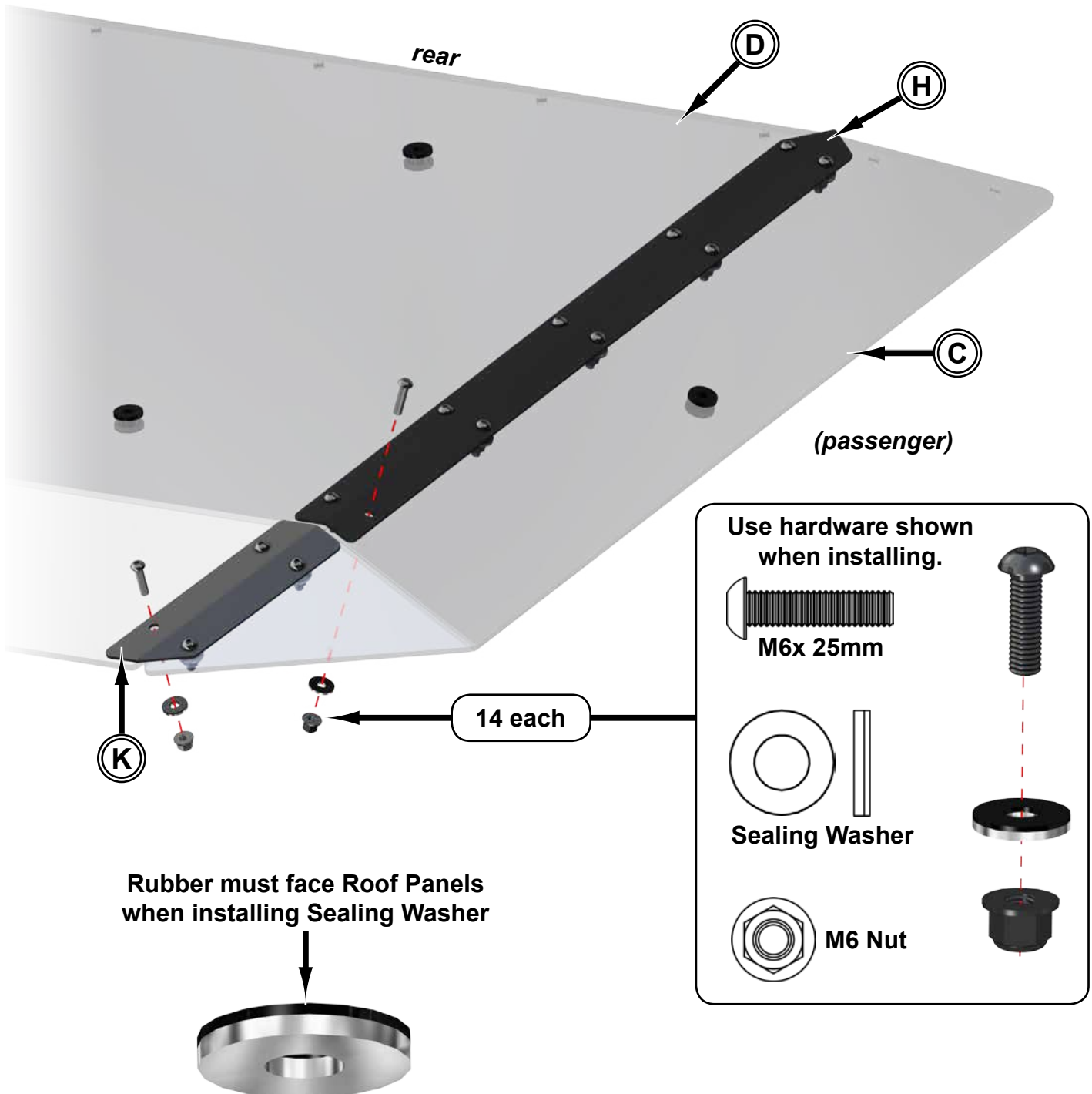
**Reference**

Item	Description
E	Right Rear Bracket
F	Left Rear Bracket
G	Right Bracket
H	Left Bracket
J	Right Front Bracket
K	Left Front Bracket
L	Rear Bracket



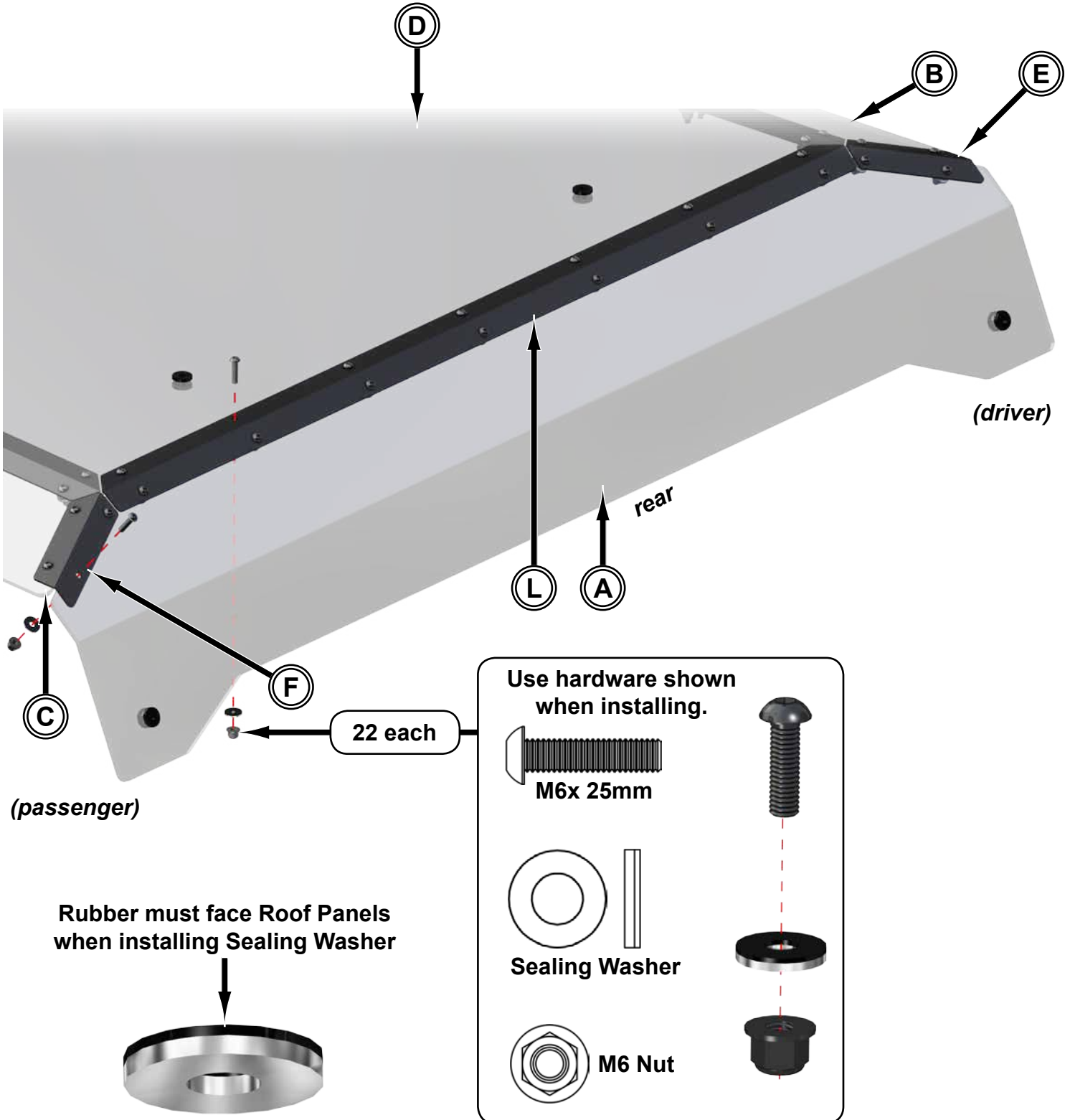
## Panel and Bracket installation:

- Join Center Panel (D) and Left Panel (C) to Left Bracket (H) and Left Front Bracket (K) with hardware shown.
- *Previously installed Flat Seals on Brackets must be against Roof Panels.*
- Repeat for opposite side.



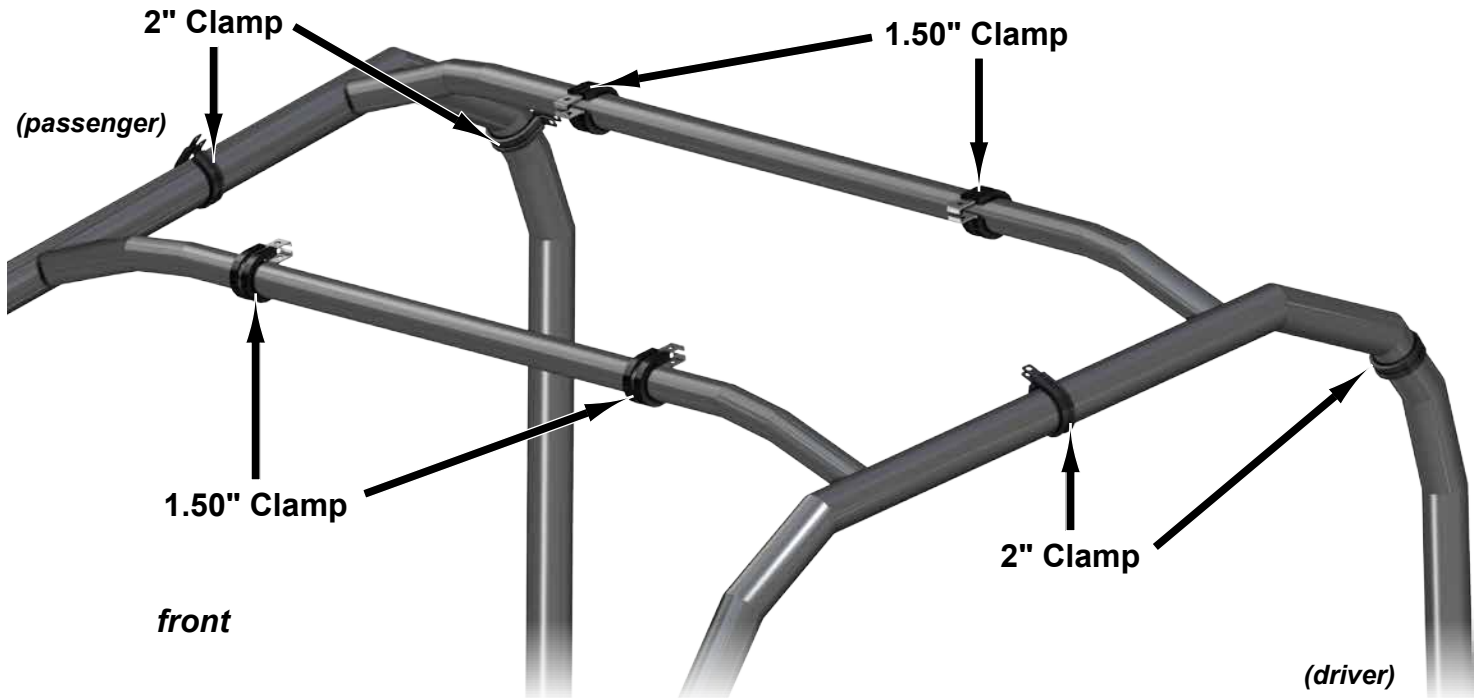
## Panel and Bracket installation continued:

- Install Rear Bracket (L) to Center Panel (D) with hardware shown.
- Install Rear Panel (A) to Rear Bracket (L) with hardware shown.
- Join Rear Panel (A), Right Panel (B), and Left Panel (C) to Rear Bracket (L), Right Rear Bracket (E), and Left Rear Bracket (F) with hardware shown.
- *Previously installed Flat Seals on Brackets must be against Roof Panels.*



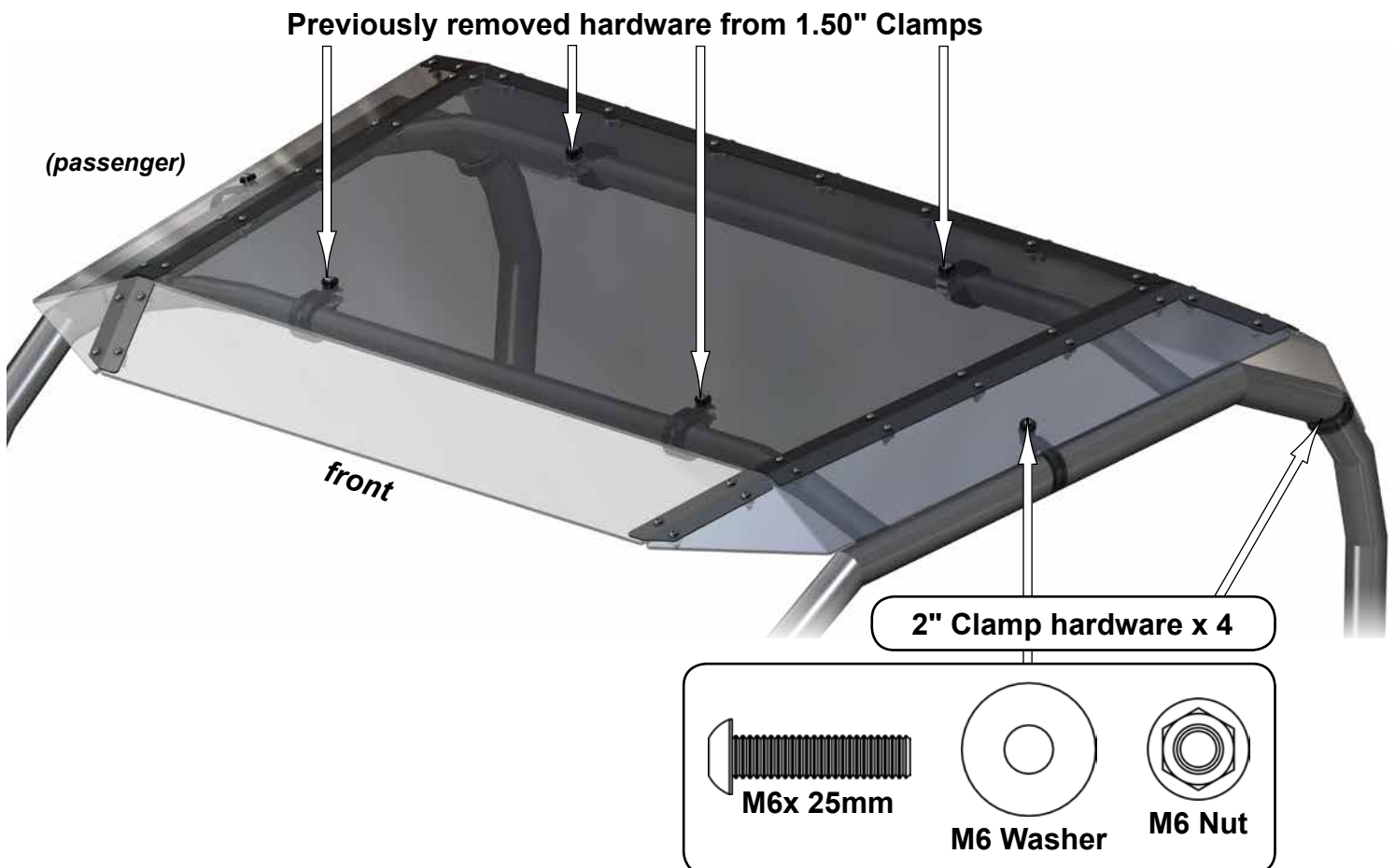
## Clamp installation:

- Install Clamps to Roll Cage as shown.



## Roof installation:

- Secure Roof to Clamps with hardware shown.





***Roof Cleaning:***

- Do not use window cleaning fluids (Windex, 409, etc) or any solvents (gasoline, denatured alcohol, acetone, etc).
  - Never use abrasive cleaners, abrasive pads, or gritty cloths.
  - Never use razor blades, scrapers, squeegees, brushes, etc.
1. Thoroughly rinse Roof to float off dirt and mud.
  2. Using a soft cloth, or microfiber cloth, clean Roof with warm water and a gentle detergent. Baby shampoo or hand washing soap are recommended.
  3. To prevent water spots, use a chamois to blot Windshield dry.