

INSTALLATION INSTRUCTIONS

High Clearance Rear A-Arms: for Polaris Ranger®

Item	Description
A	Upper A-Arm, Right
B	Upper A-Arm, Left
C	Lower A-Arm, Left
D	Lower A-Arm, Right



Read instructions and view illustrations before beginning.

Need help with your installation?



sales@superatv.com



www.superatv.com



1-812-574-7777



8:00am - 9:00pm EST M-Th
8:00am - 7:00pm EST Friday
9:00am - 2:00pm EST Saturday

Thank You

For Choosing



Liability Statement

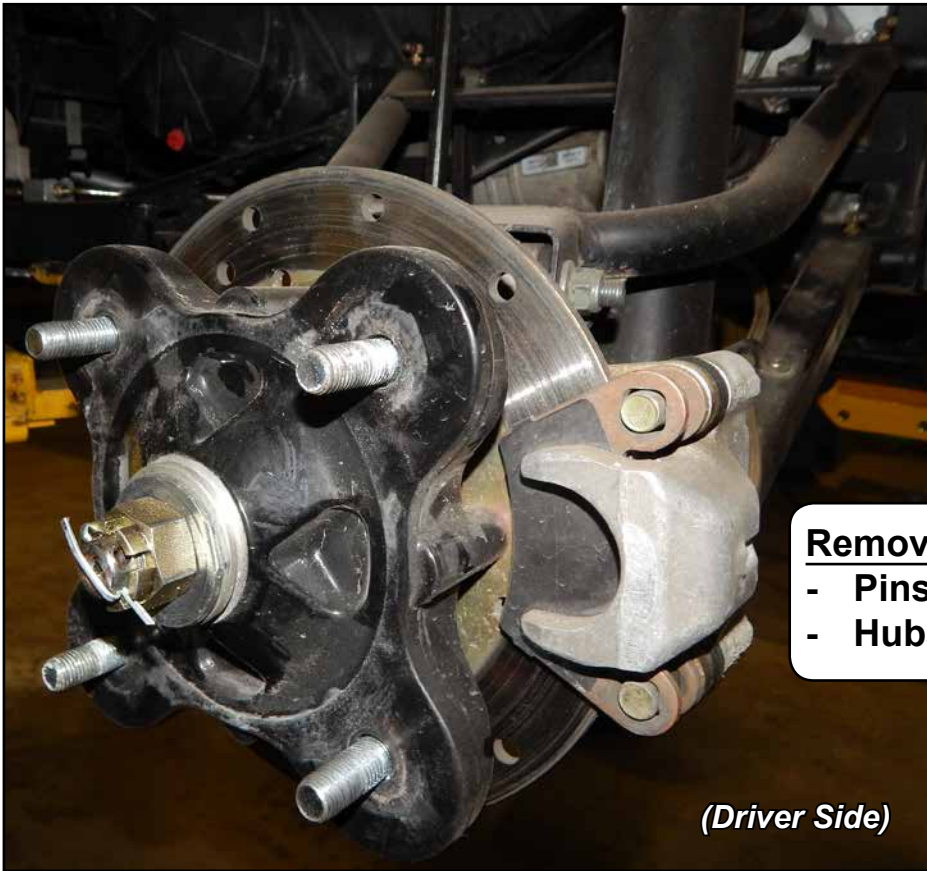
SuperATV's® products are designed to best fit user's ATV/UTV under stock conditions. Adding, modifying, or fabricating any factory or aftermarket parts will void any warranty provided by SuperATV® and is not recommended. SuperATV's® products could interfere with other aftermarket accessories. If user has aftermarket products on machine, contact SuperATV® to verify that they will work together.

Although SuperATV® has thousands of satisfied customers, user should be aware that installing lift kits, long travel, or suspension kits, tires, etc. will change the ride of machine and may increase maintenance and part wear. Operating any off-road machine while, or after, consuming alcohol and/or drugs increases risk of bodily harm or death. No warranty or representation is made as to this product's ability to protect user from severe injury or death. SuperATV® urges operators and occupants to wear a helmet and appropriate riding gear at all times.

By purchasing and installing SuperATV® products, user agrees that should damages occur, SuperATV® will not be held responsible for loss of time, use, labor fees, replacement parts, or freight charges. SuperATV®, nor any 3rd party, will not be held responsible for any direct, indirect, incidental, special, or consequential damages that result from any product purchased from SuperATV®. The total liability of seller to user for all damages, losses, and causes of action, if any, shall not exceed the total purchase price paid for the product that gave rise to the claim.

SuperATV® will warranty only parts provided by SuperATV®. Any damage or problems with OEM housings, bearings, seals, or other manufacturers' products will not be covered by SuperATV®. SuperATV® parts and products are not warranted if item was not installed properly, misused, or modified.

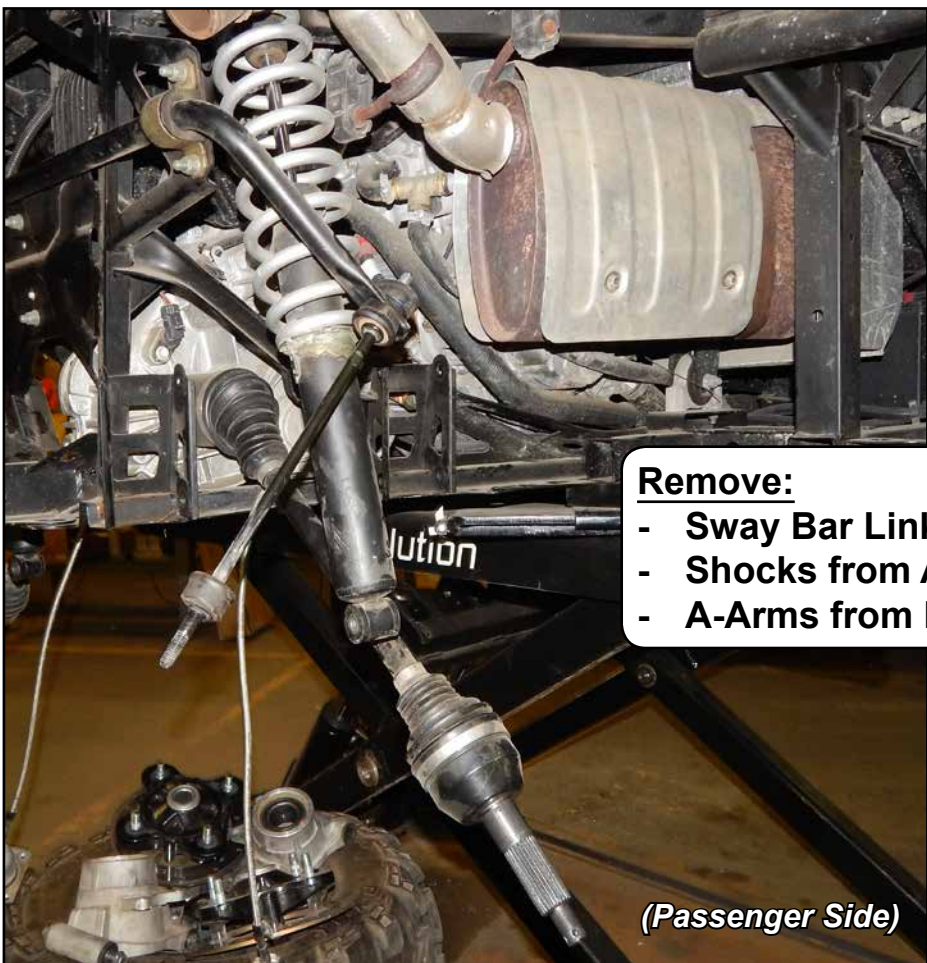
Removal: *Keep all components removed from machine.*



(Driver Side)

Remove:

- Pins, Axle Nuts, and Washers
- Hubs and Bearings



Remove:

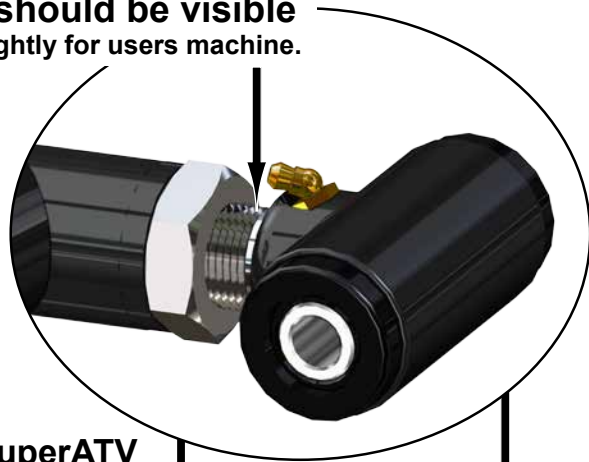
- Sway Bar Links from A-Arms
- Shocks from A-Arms
- A-Arms from Frame

(Passenger Side)

Prep:

- From stock A-Arms, transfer Bushings into new A-Arms or install SuperATV p/n AAB-P-RAN900 A-Arm Bushings Kit.
- If not present, install new Grease Fittings into new A-Arms.

9mm of thread should be visible
Number may differ slightly for users machine.



**Install stock Bushings and Pivot Shafts or SuperATV
A-Arm Bushings Kit AAB-P-RAN900**

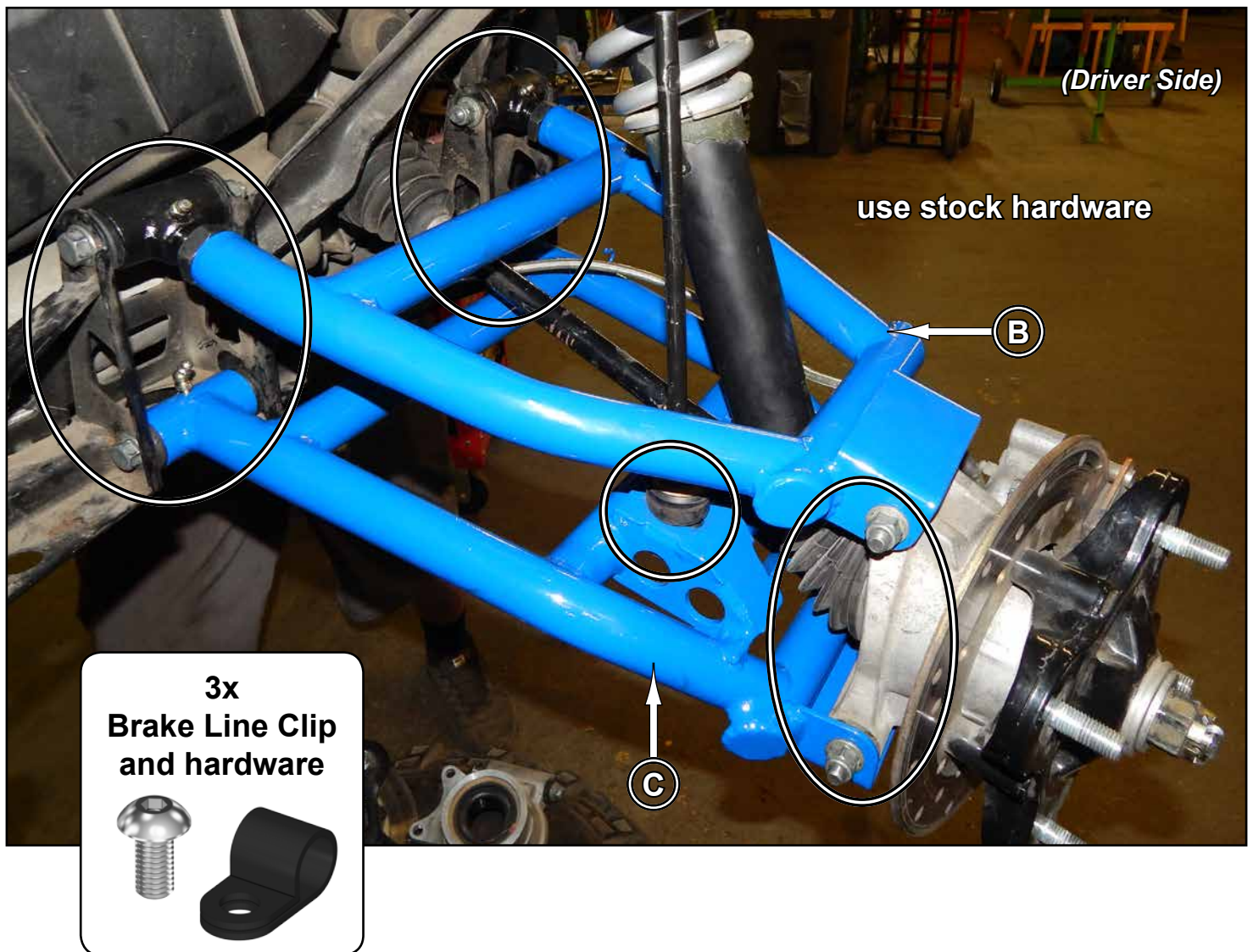


(Left)



Installation:

- Install new A-Arms to Frame with stock hardware. SuperATV recommends using Loc-Tite on Nuts when reinstalling.
- Reinstall Shocks, Sway Bar Links, and Wheel Bearing Carriers to new A-Arms with stock hardware.
- Secure Brake Lines to new A-Arms with provided Brake Line Clips and hardware.



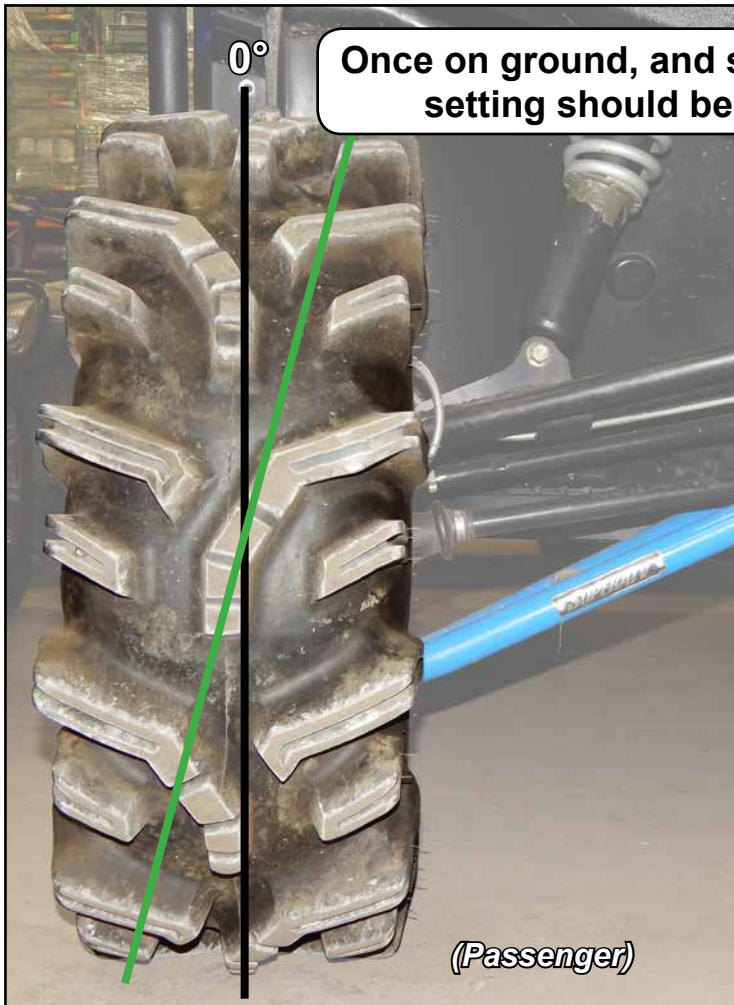
CAMBER



Perform adjustments in small increments.



Adjustments are to be made after all suspension components have been completely assembled.
Tires must not be in contact with ground when making adjustments.



1. Raise machine so that tires are off ground.
 2. Turn Pivot Blocks to adjust camber.
 3. Lower machine and settle suspension components by rolling machine back and forth several feet at a time.
 4. Check settings and make small adjustments as needed.
- Each time an adjustment is made, machine must be rolled back and forth to settle suspension components.

