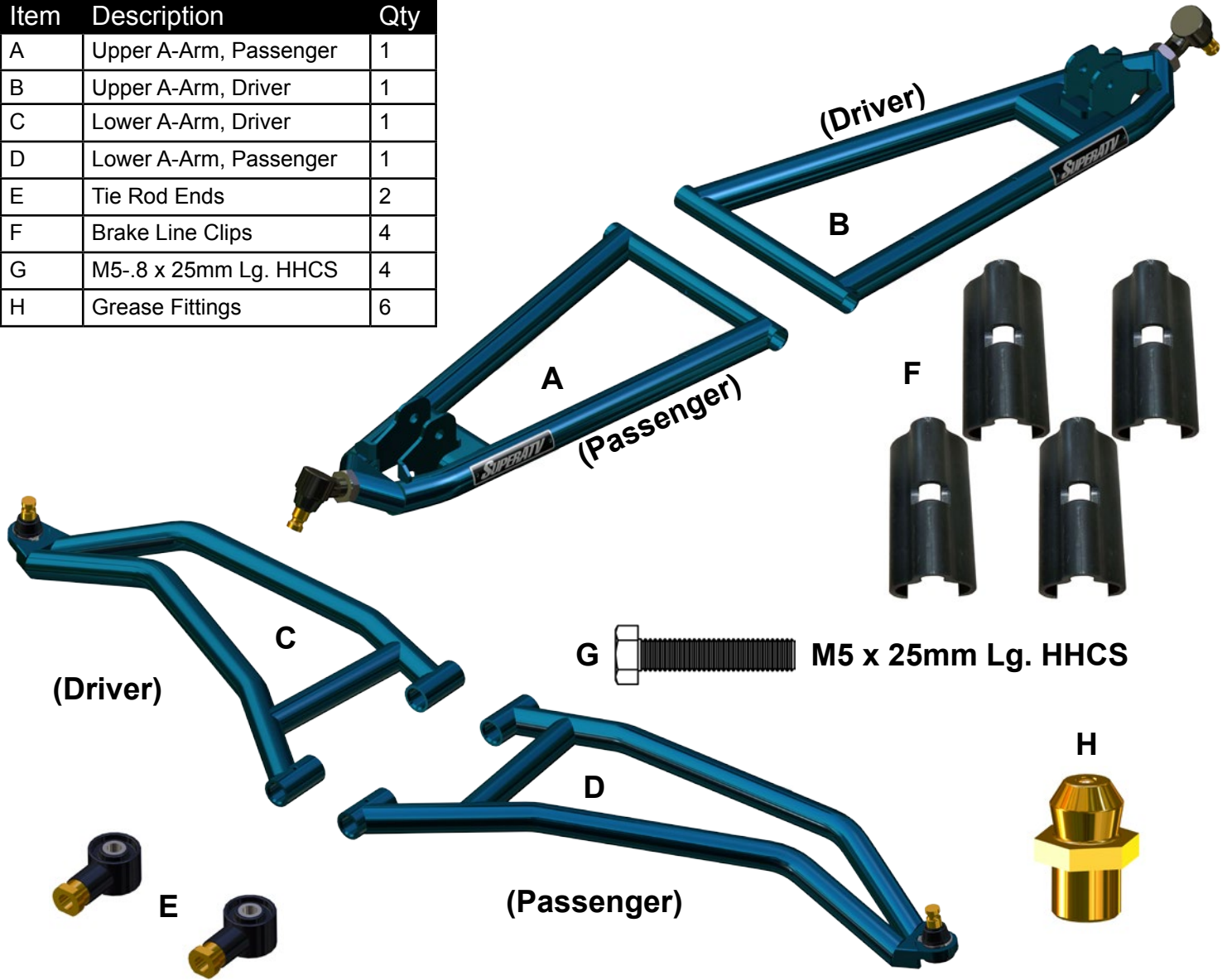


INSTALLATION INSTRUCTIONS

Polaris RZRXP High Clearance Forward A-Arms

Item	Description	Qty
A	Upper A-Arm, Passenger	1
B	Upper A-Arm, Driver	1
C	Lower A-Arm, Driver	1
D	Lower A-Arm, Passenger	1
E	Tie Rod Ends	2
F	Brake Line Clips	4
G	M5-.8 x 25mm Lg. HHCS	4
H	Grease Fittings	6



Read instructions and view illustrations before beginning.

Need help with your installation?



sales@superatv.com



www.superatv.com



1-812-574-7777



8:00am - 9:00pm EST M-Th
8:00am - 7:00pm EST Friday
9:00am - 2:00pm EST Saturday

*Thank You
For Choosing*

SUPERATV.COM

Liability Statement

SuperATV's products are designed to best fit users ATV/UTV under stock conditions. Adding, modifying, or fabricating any factory, or aftermarket, parts will void any warranty provided by SuperATV and is not recommended. SuperATV's products could interfere with other aftermarket accessories. If user has aftermarket products on machine, contact SuperATV to verify that they will work together.

Although SuperATV has thousands of satisfied customers, user should be aware that installing lift kits, long travel, or suspension kits, tires, etc will change the ride of machine and may increase maintenance and part wear. Operating any off-road machine while, or after, consuming alcohol and/or drugs increases risk of bodily harm or death. No warranty or representation is made as to this product's ability to protect user from severe injury or death. SuperATV urges operators and occupants to wear a helmet and appropriate riding gear at all times.

By purchasing and installing SuperATV products, user agrees that should damages occur, SuperATV will not be held responsible for loss of time, use, labor fees, replacement parts, or freight charges. SuperATV, nor any 3rd party, will not be held responsible for any direct, indirect, incidental, special, or consequential damages that result from any product purchased from SuperATV. The total liability of seller to user for all damages, losses, and causes of action, if any, shall not exceed the total purchase price paid for the product that gave rise to the claim.

SuperATV will warranty only parts provided by SuperATV. Any damage or problems with OEM housings, bearings, seals, or other manufacturers products will not be covered by SuperATV. SuperATV parts and products are not warranted if item was not installed properly, misused, or modified.

Do not tighten hardware completely unless noted. Keep all stock hardware.

1. Raise Front of machine off ground, secure with jack stands.
 - Remove Wheels.
 - Remove Brake Calipers from Spindles and hang out of way.
 - Remove Tie Rods from Spindles.
 - Unbolt Shocks from Upper A-Arms.
 - Remove Spindles.
2. Remove stock Upper and Lower A-Arms from Frame.
3. Transfer stock Bushings, or install SuperATV Poly Bushing Kit AAB-P-RZR, into new A-Arms. See Fig. 1.

Proceed to Steering Stop Installation or go to Step 4.

OPTIONAL STEERING STOP KIT

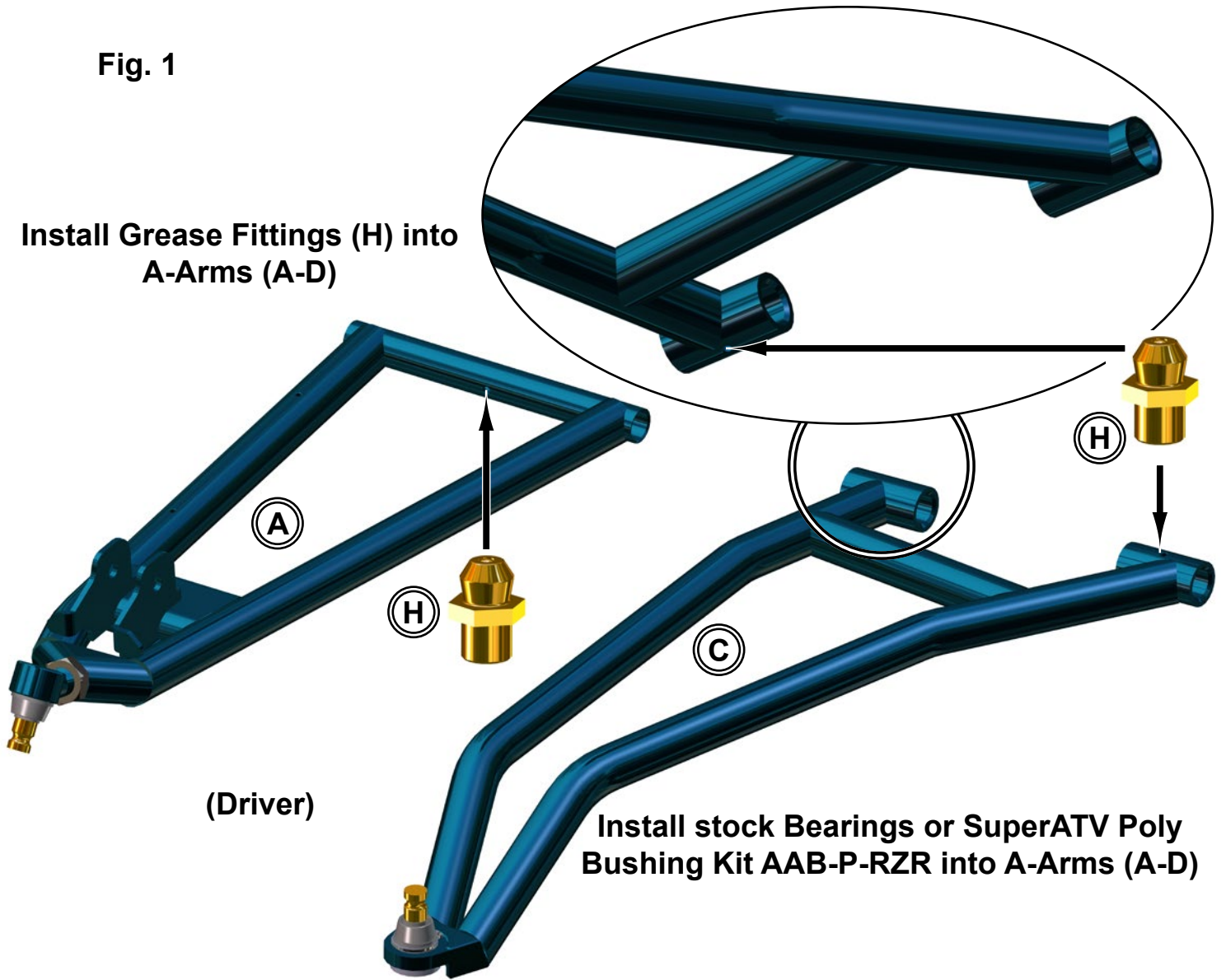
Using Steering Stop Kit will prevent over extension of Axles, when in reverse under hard throttle, by limiting steering range.

4. Install A-Arms (A-D) to machine with stock hardware. SuperATV recommends using Loc-Tite on Nuts when installing.
5. Remove stock Tie Rod Ends from Tie Rods and replace with Tie Rods (E). Use stock hardware when installing to Spindles. See Fig. 2.
6. Secure Brake Lines with Brake Line Clips (F) and M5-.8 x 13mm Lg. HHCS (G). See Fig. 3.
7. Reinstall necessary components and tighten all hardware securely.
8. Due to shift in Wheels, because of new offset A-Arms, adjust Toe.

(installation illustrations begin on following page)

Fig. 1

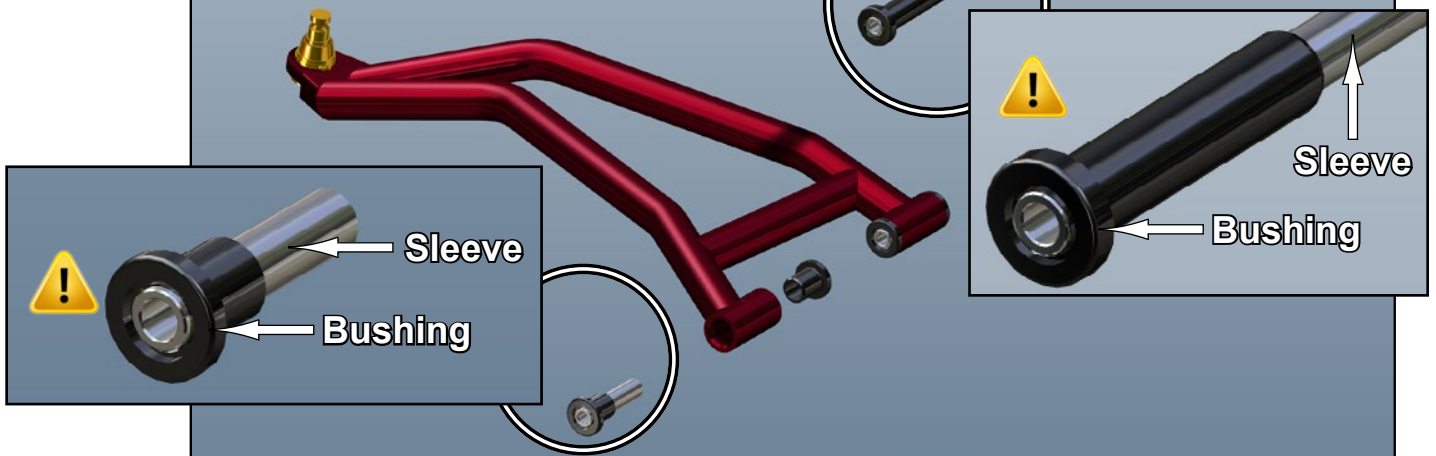
Install Grease Fittings (H) into A-Arms (A-D)



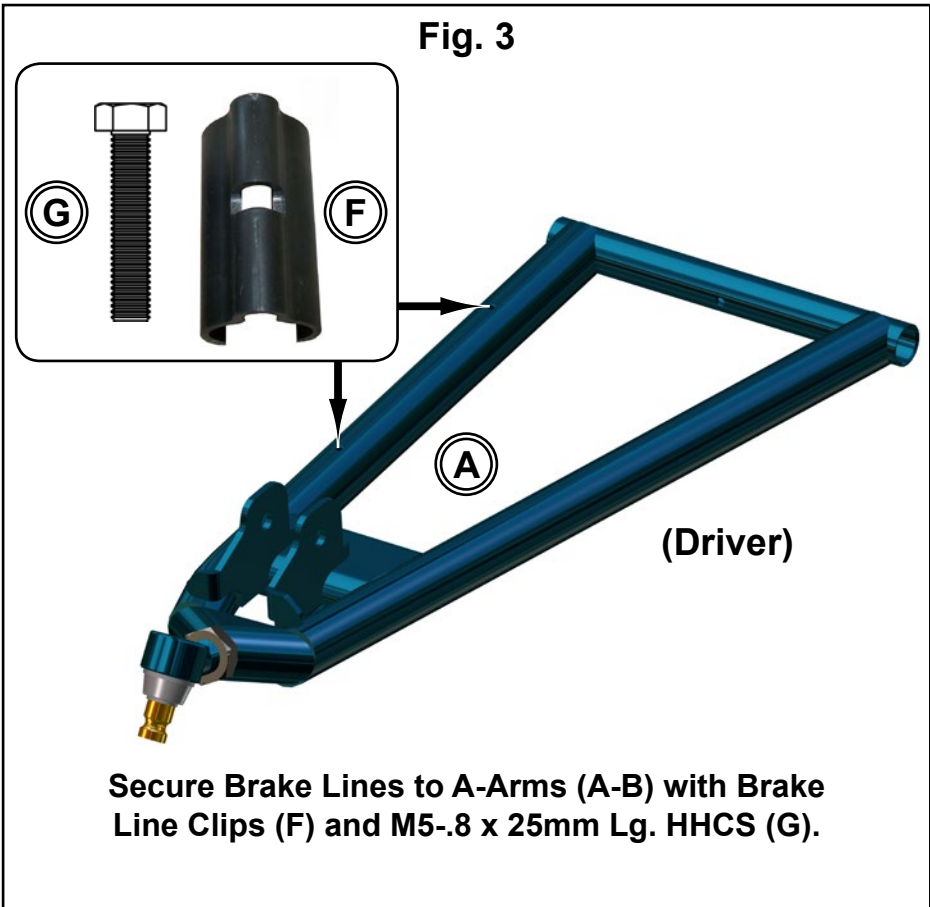
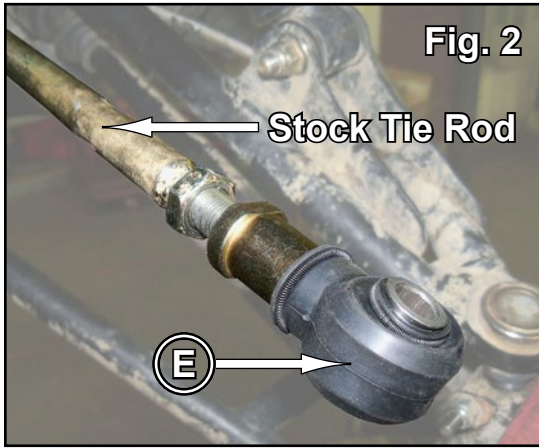
Install stock Bearings or SuperATV Poly Bushing Kit AAB-P-RZR into A-Arms (A-D)

If using SuperATV Poly Kit:

1. Assemble Bushing to Sleeve.
2. Insert into A-Arm.
3. Install Bushing.



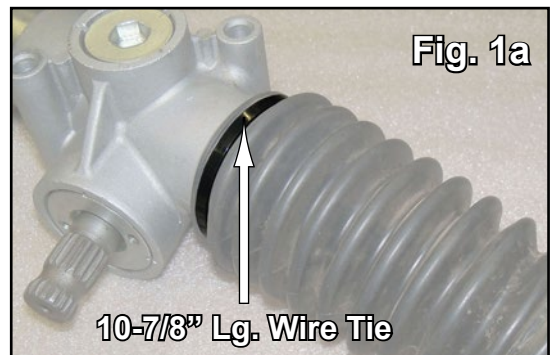
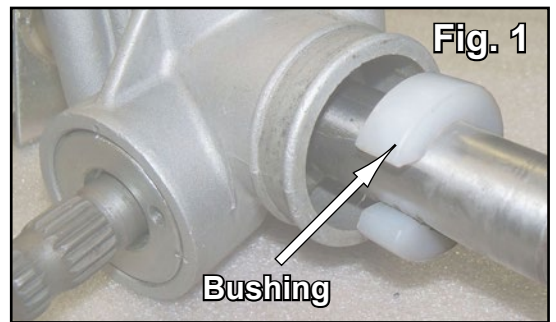
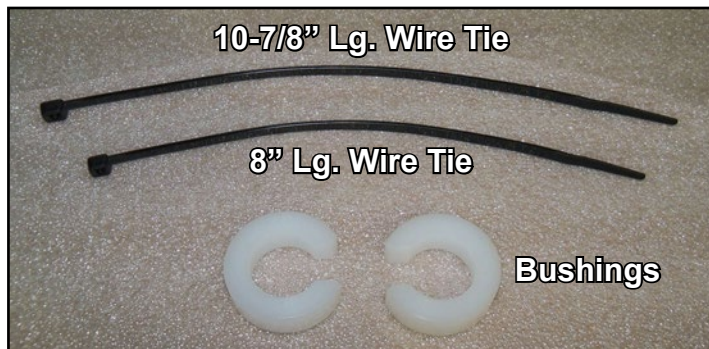
(installation illustrations continued)



PARTS REFERENCE

Item	Description
A	Upper A-Arm, Driver
B	Upper A-Arm, Passenger
C	Lower A-Arm, Passenger
D	Lower A-Arm, Driver
E	Tie Rod Ends
F	Brake Line Clips
G	M5-.8 x 25mm Lg. HHCS
H	Grease Fittings

Steering Stop Installation (Rack and Pinion shown off machine for clarity)



- Note: Driver Side installation is shown.*
1. Unclamp and slide Boot away from Steering Gear Box.
 2. Install Bushings onto shaft. See Fig. 1.
 3. Reinstall Boot with 10-7/8" Lg. Wire Tie. See Fig. 1a.
- Repeat steps for opposite side.