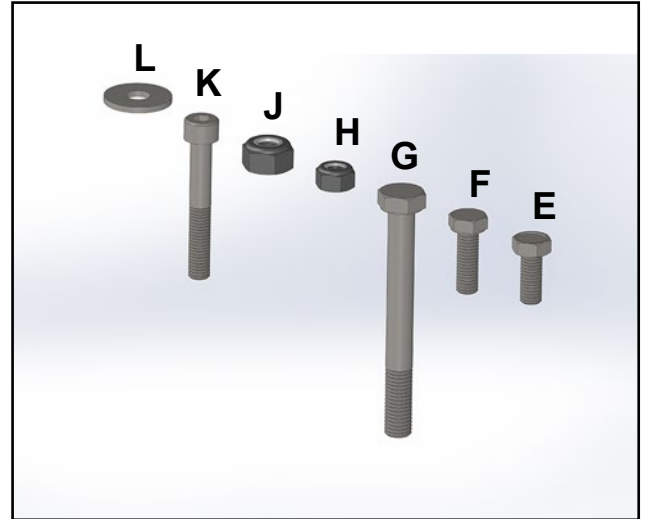


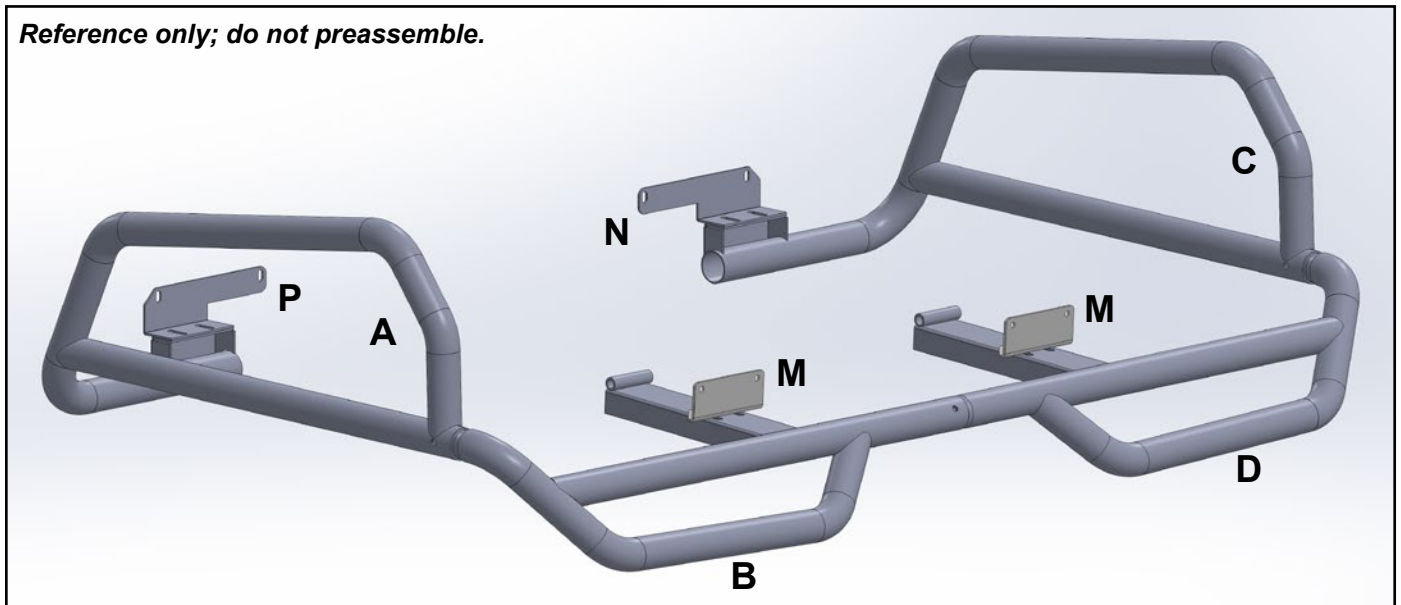
INSTALLATION INSTRUCTIONS

Polaris Ranger XP, Extreme Rear Bumper and Rear Side Guards

Item	Description	Qty
A	Left Side Guard	1
B	Left Rear Bumper	1
C	Right Side Guard	1
D	Right Rear Bumper	1
E	M8-1.25 x 20mm Lg. HHCS	8
F	M8-1.25 x 25mm Lg. HHCS	4
G	M10-1.50 x 90mm Lg. HHCS	2
H	M8-1.25 Nylock Nuts	15
J	M10-1.50 Nylock Nuts	2
K	M8-1.25 x 55mm Lg. SHCS	3
L	M8 Flat Washers	20
M	Mounting Brackets	2
N	Side Guard Mounting Bracket, Right	1
P	Side Guard Mounting Bracket, Left	1



Reference only; do not preassemble.



Read instructions and view illustrations before beginning.

Need help with your installation?



sales@superatv.com



www.superatv.com



1-812-574-7777



8:00am - 9:00pm EST M-Th
8:00am - 7:00pm EST Friday
9:00am - 2:00pm EST Saturday

*Thank You
For Choosing*

Liability Statement

SuperATV's products are designed to best fit users ATV/UTV under stock conditions. Adding, modifying, or fabricating any factory, or aftermarket, parts will void any warranty provided by SuperATV and is not recommended. SuperATV's products could interfere with other aftermarket accessories. If user has aftermarket products on machine, contact SuperATV to verify that they will work together.

Although SuperATV has thousands of satisfied customers, user should be aware that installing lift kits, long travel, or suspension kits, tires, etc will change the ride of machine and may increase maintenance and part wear. Operating any off-road machine while, or after, consuming alcohol and/or drugs increases risk of bodily harm or death. No warranty or representation is made as to this product's ability to protect user from severe injury or death. SuperATV urges operators and occupants to wear a helmet and appropriate riding gear at all times.

By purchasing and installing SuperATV products, user agrees that should damages occur, SuperATV will not be held responsible for loss of time, use, labor fees, replacement parts, or freight charges. SuperATV, nor any 3rd party, will not be held responsible for any direct, indirect, incidental, special, or consequential damages that result from any product purchased from SuperATV. The total liability of seller to user for all damages, losses, and causes of action, if any, shall not exceed the total purchase price paid for the product that gave rise to the claim.

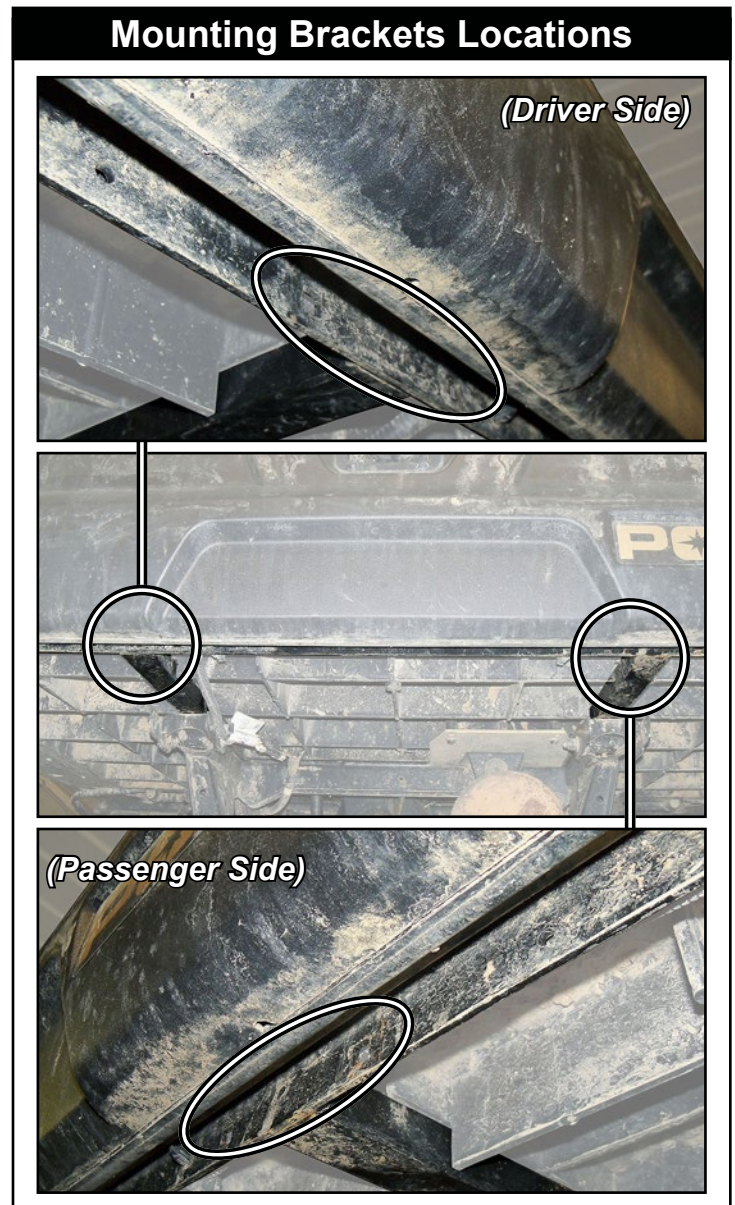
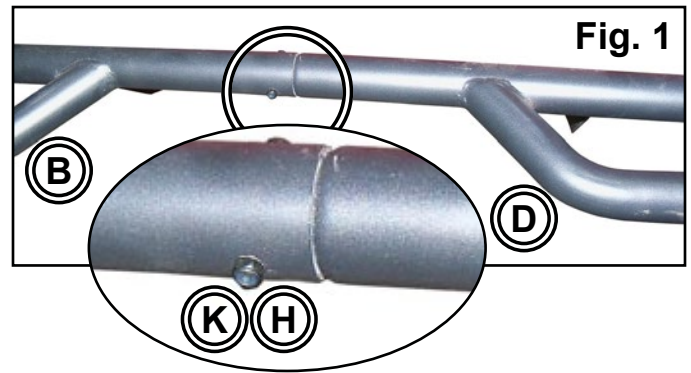
SuperATV will warranty only parts provided by SuperATV. Any damage or problems with OEM housings, bearings, seals, or other manufacturers products will not be covered by SuperATV. SuperATV parts and products are not warranted if item was not installed properly, misused, or modified.

Do not tighten hardware completely unless noted.
Keep stock hardware.

1. Join Bumpers (B)(D) with M8-1.25 x 55mm Lg. Socket Head Cap Screw (K) and M8-1.25 Nylock Nut (H). See Fig. 1.
2. Install Mounting Brackets (M) to machine, underneath Bed. Look for holes in frame where Tail Lights wiring harness runs. See Mounting Brackets Locations. Attach with (4) each M8-1.25 x 25mm Lg. HHCS (F), M8 Flat Washers (L), and M8-1.25 Nylock Nuts (H). See Figs. 2 - 2a.

- | | |
|---|--|
| - | 2011 and up: mount to <i>outside</i> of Frame. |
| - | 2010 and older: mount to <i>inside</i> of Frame. |

3. Install Rear Bumper Assembly (B)(D) to frame with (2) each M10-1.50 x 90mm Lg. HHCS (G) and M10-1.50 Nylock Nuts (J). See Fig. 3 and Fig. 3a.
4. Secure Rear Bumper Assembly (B)(D) to Mounting Brackets (M) with (4) M8-1.25 x 20mm Lg. HHCS (E), (8) M8 Flat Washers (L), and (4) M8-1.25 Nylock Nuts (H). See Figs. 3 - 3a.
5. Remove stock Nuts from Bed Release Handle Brackets. See Fig. 4.
6. Install Side Guard Mounting Brackets (N)(P) to Bed Release Handle Brackets; secure with stock Nuts. See Fig. 5.
7. Install Side Guards (A)(C) to Side Guard Mounting Brackets (N)(P) with (4) M8-1.25 x 20mm Lg. HHCS (E), (8) M8 Flat Washers (L), and (4) M8-1.25 Nylock Nuts (H). See Fig. 5 and Fig. 5a.
8. Join Side Guards (A)(C) and Rear Bumpers (B)(D) together with M8-1.25 x 55mm Lg. Socket Head Cap Screws (K) and M8-1.25 Nylock Nuts (H). See Fig. 6.
9. Align to machine and tighten all hardware.



PARTS REFERENCE

Item	Description
A	Left Side Guard
B	Left Rear Bumper
C	Right Side Guard
D	Right Rear Bumper
E	M8-1.25 x 20mm Lg. HHCS
F	M8-1.25 x 25mm Lg. HHCS
G	M10-1.50 x 90mm Lg. HHCS
H	M8-1.25 Nylock Nuts
J	M10-1.50 Nylock Nuts
K	M8-1.25 x 55mm Lg. SHCS
L	M8 Flat Washers
M	Mounting Brackets
N	Side Guard Mounting Bracket, Right
P	Side Guard Mounting Bracket, Left

(illustrations continue on following pages)

(Instruction illustrations continued)

