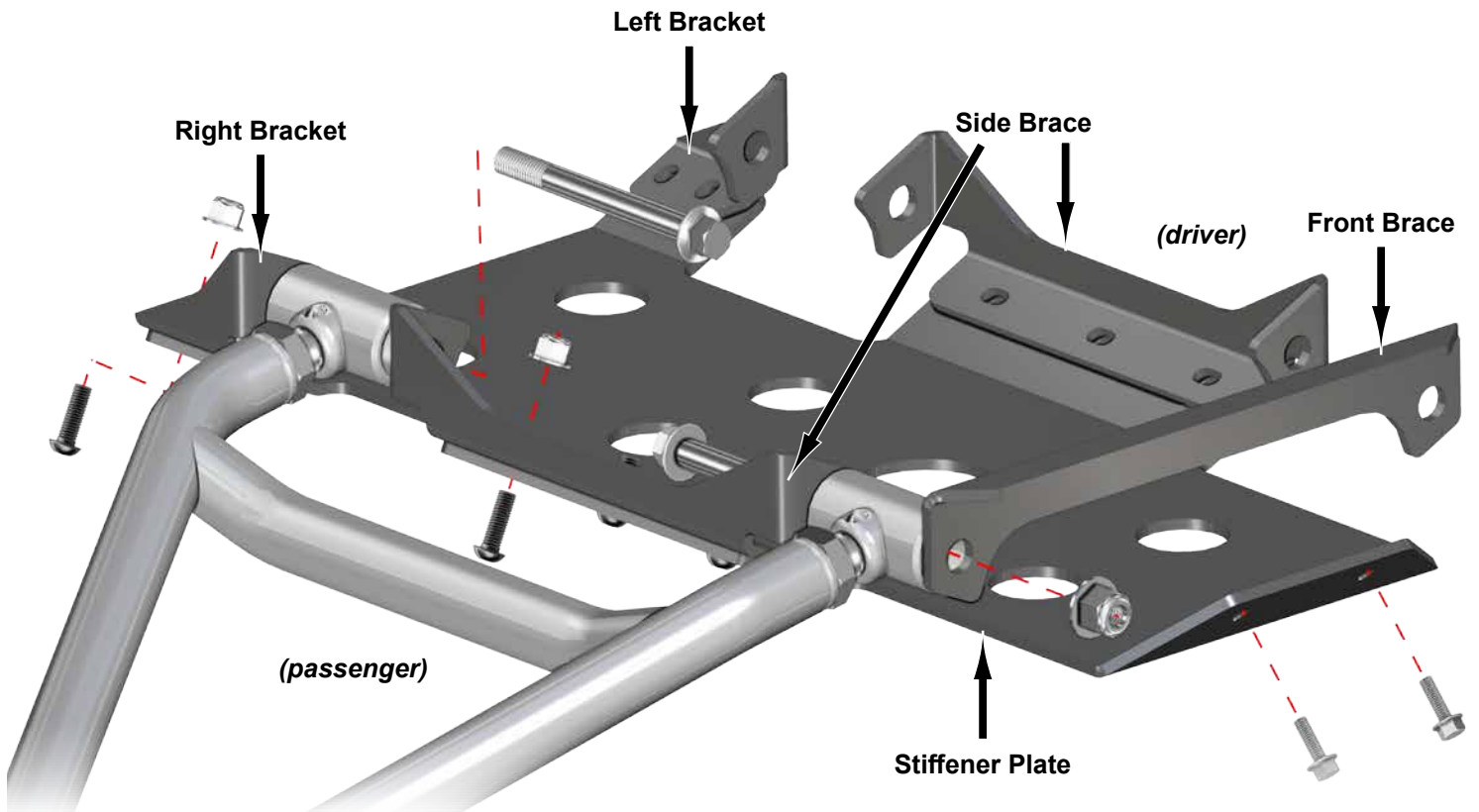




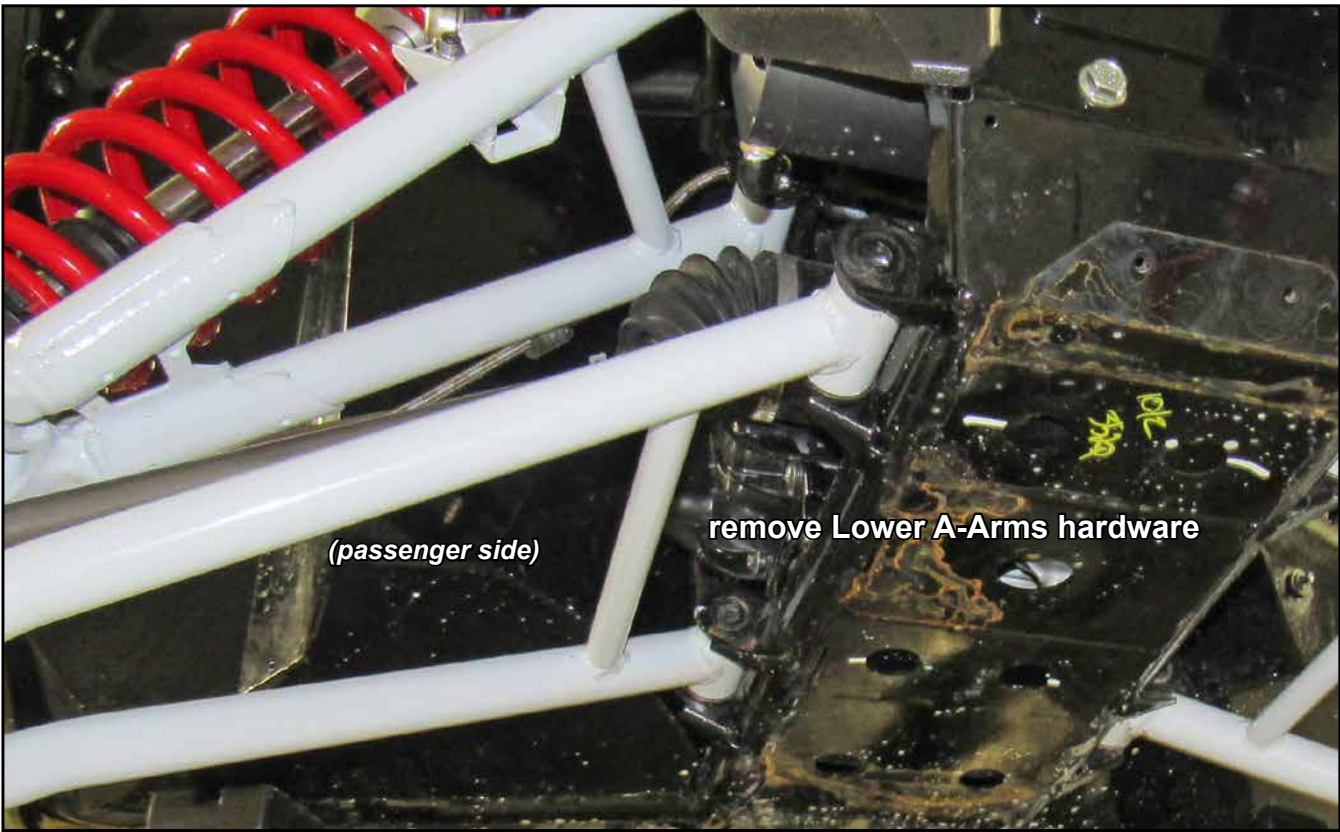
Reference only; do not assemble at this time





remove Actuator Cover

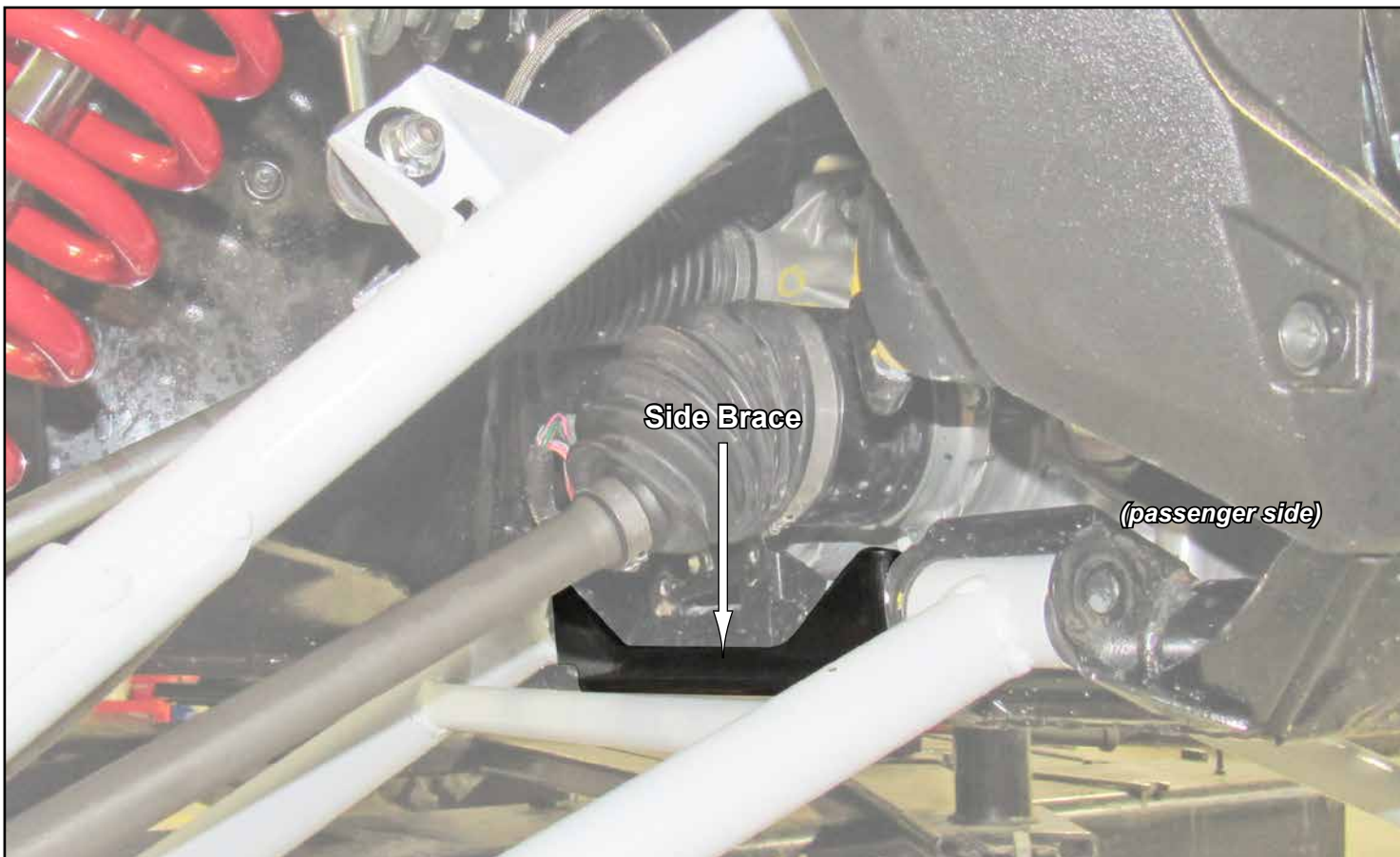
(passenger side)



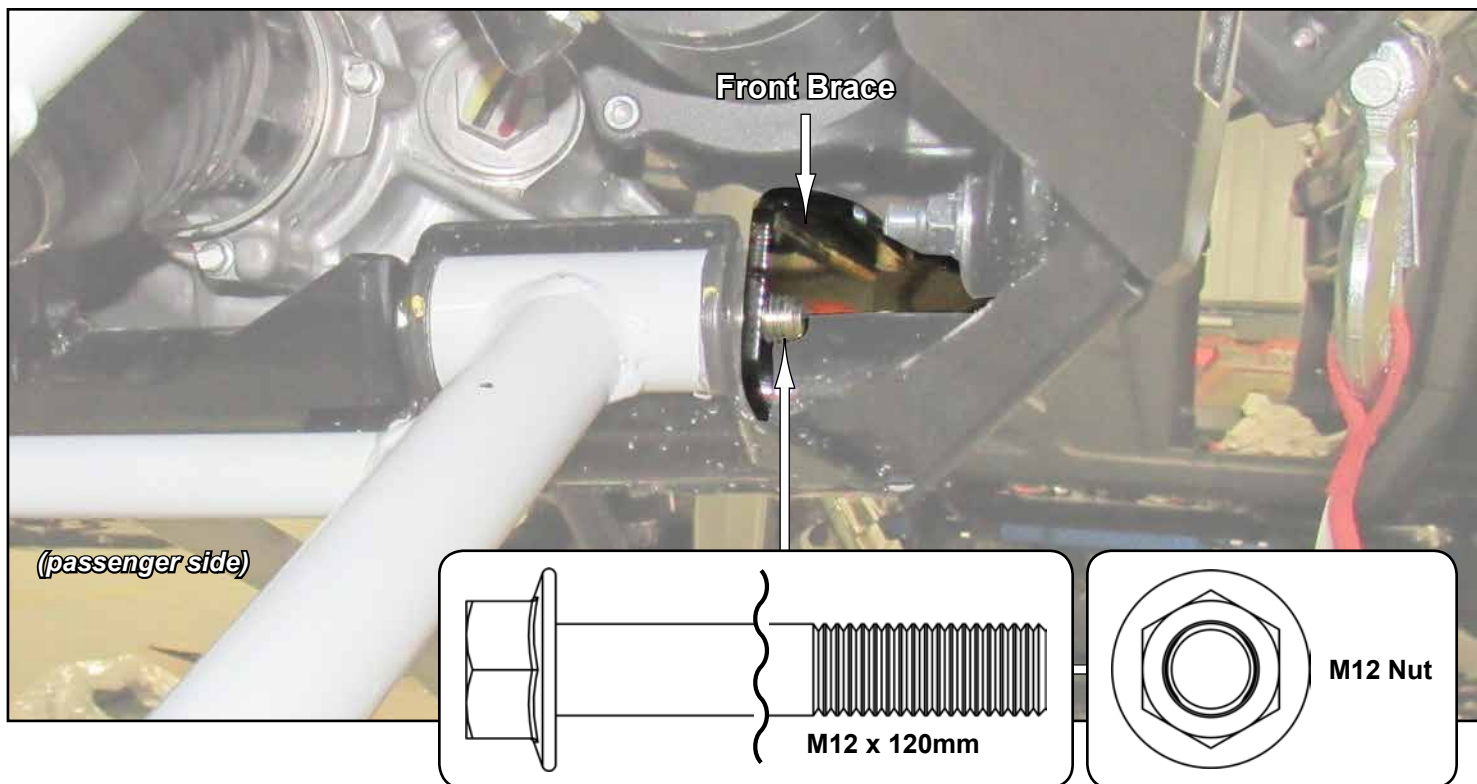
remove Lower A-Arms hardware

(passenger side)

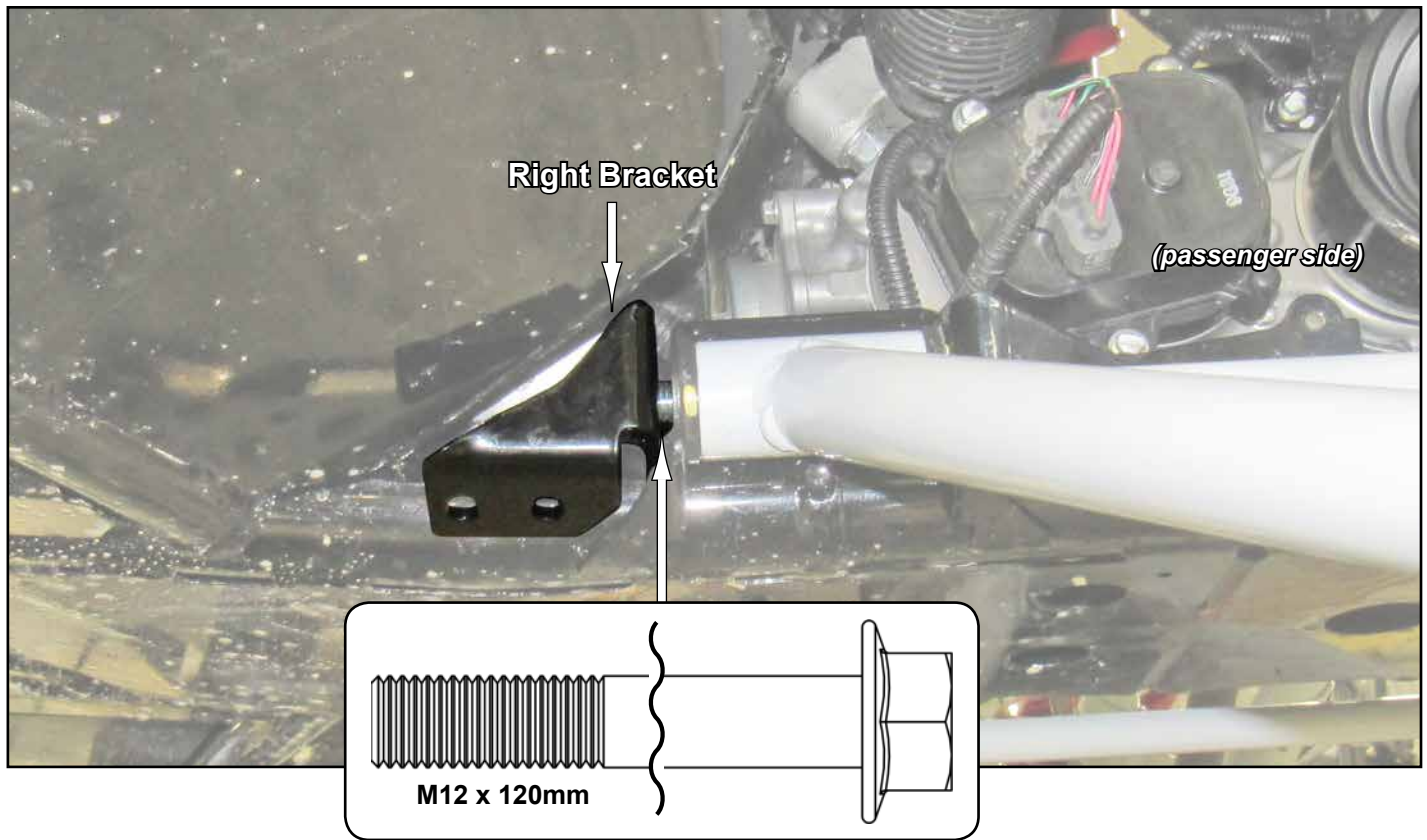
- place Side Brace between Lower A-Arm Mounts



- place Front Brace in front of Lower A-Arm Mounts
- join Side Brace and Front Brace with hardware shown

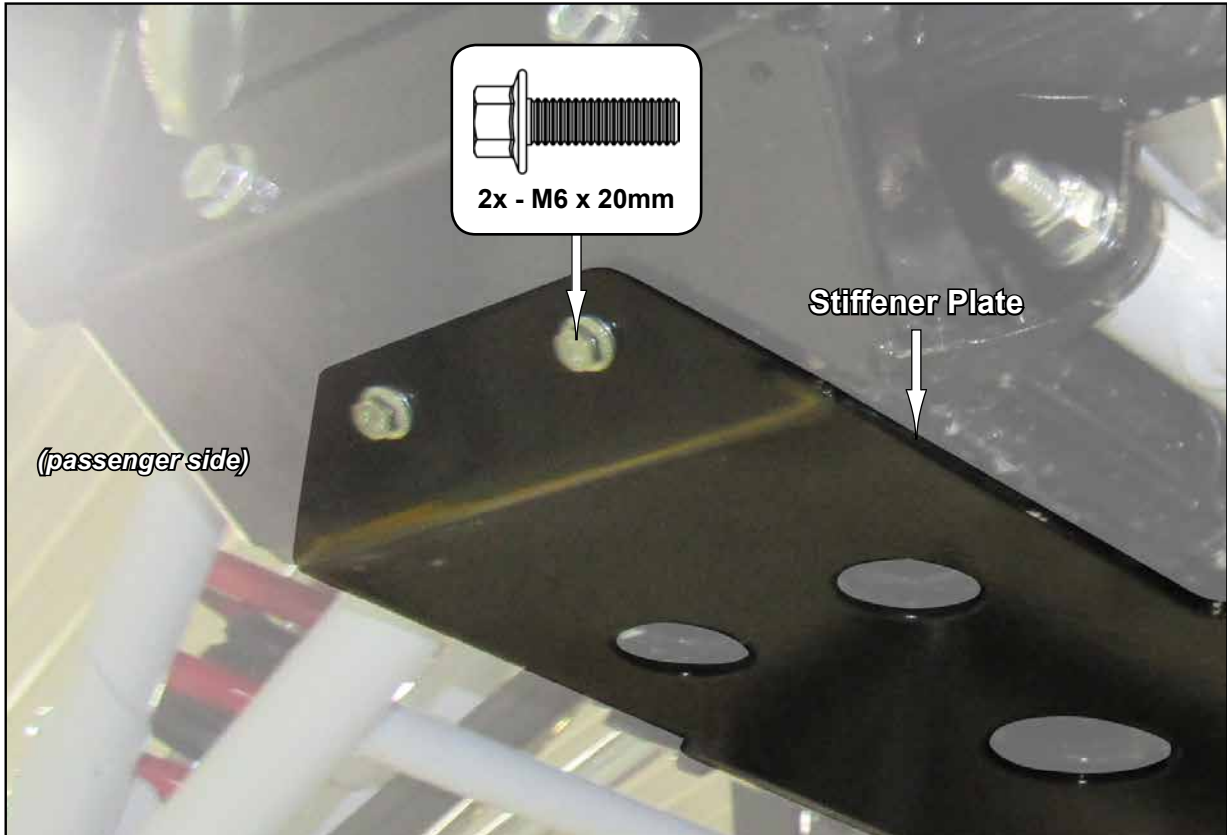


- place Right Bracket behind Lower A-Arm Mounts
- join Side Brace and Right Bracket with hardware shown

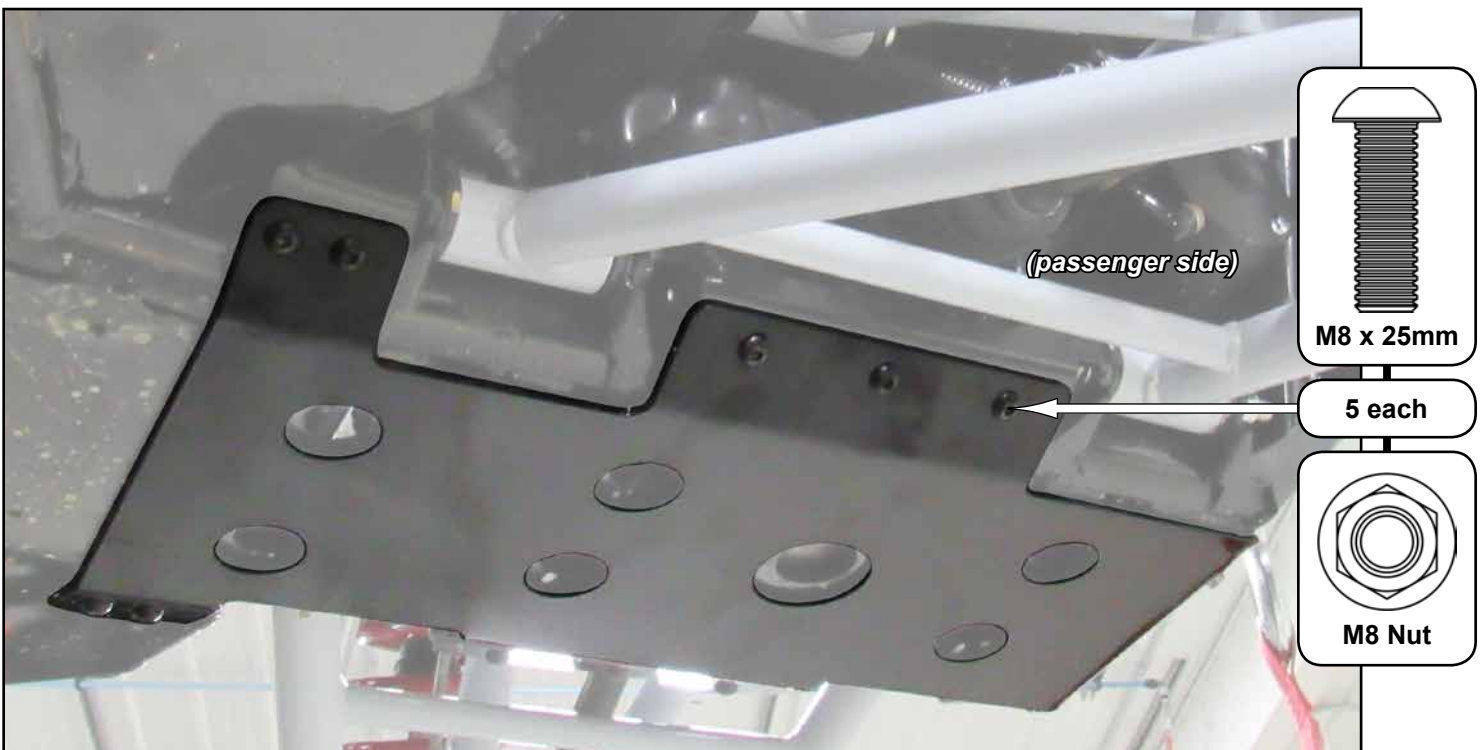


repeat steps for opposite side

- secure Stiffener Plate to machine with hardware shown



- secure Stiffener Plate to Side Brace and Right Bracket with hardware shown



- install hardware to opposite side
- tighten all hardware completely
- reinstall Actuator Cover