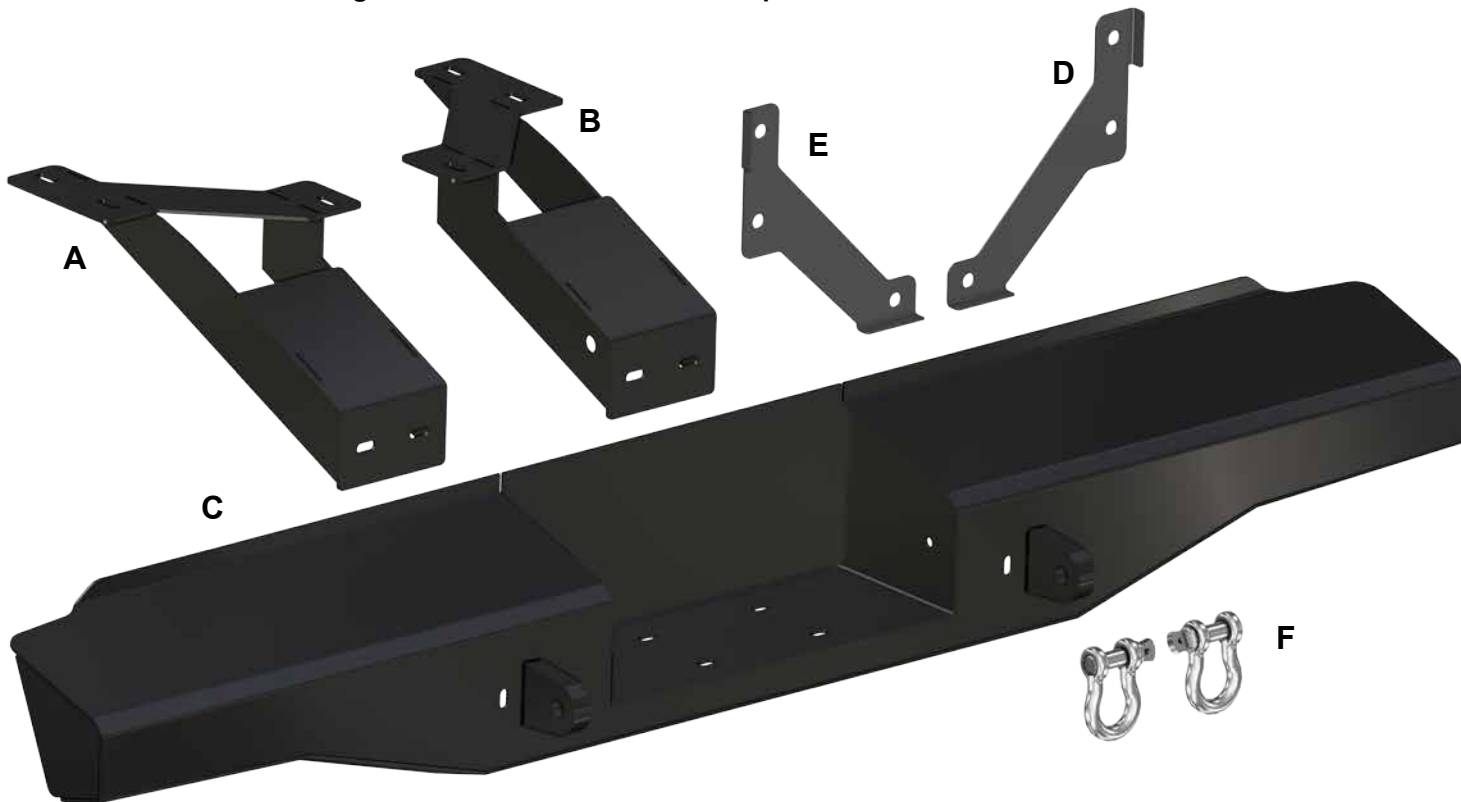


**INSTALLATION INSTRUCTIONS**  
**Rear Bumper: for Can-Am Defender**

Winch and LED lights shown in instructions are optional and are *not included* with RB-CA-DEF



Item	Description	Qty	Item	Description	Qty
A	Right Mount	1	D	Right Template	1
B	Left Mount	1	E	Left Template	1
C	Bumper	1	F	D-Ring	2

(kit contents continue on following pages)

**Read instructions and view illustrations before beginning.**

**Need help with your installation?**

 [sales@superatv.com](mailto:sales@superatv.com)
 [www.superatv.com](http://www.superatv.com)

 1-812-574-7777
  8:00am - 9:00pm EST M-Th  
8:00am - 7:00pm EST Friday  
9:00am - 2:00pm EST Saturday

Thank You  
For Choosing  
**SUPERATV**.COM

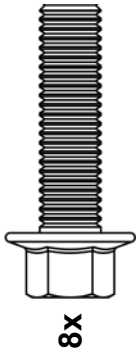
**Liability Statement**  
SuperATV's<sup>®</sup> products are designed to best fit user's ATV/UTV under stock conditions. Adding, modifying, or fabricating any factory or aftermarket parts will void any warranty provided by SuperATV<sup>®</sup> and is not recommended. SuperATV's<sup>®</sup> products could interfere with other aftermarket accessories. If user has aftermarket products on machine, contact SuperATV<sup>®</sup> to verify that they will work together.

Although SuperATV<sup>®</sup> has thousands of satisfied customers, user should be aware that installing lift kits, long travel, or suspension kits, tires, etc. will change the ride of machine and may increase maintenance and part wear. Operating any off-road machine while, or after, consuming alcohol and/or drugs increases risk of bodily harm or death. No warranty or representation is made as to this product's ability to protect user from severe injury or death. SuperATV<sup>®</sup> urges operators and occupants to wear a helmet and appropriate riding gear at all times.

By purchasing and installing SuperATV<sup>®</sup> products, user agrees that should damages occur, SuperATV<sup>®</sup> will not be held responsible for loss of time, use, labor fees, replacement parts, or freight charges. SuperATV<sup>®</sup>, nor any 3rd party, will not be held responsible for any direct, indirect, incidental, special, or consequential damages that result from any product purchased from SuperATV<sup>®</sup>. The total liability of seller to user for all damages, losses, and causes of action, if any, shall not exceed the total purchase price paid for the product that gave rise to the claim.

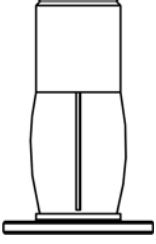
SuperATV<sup>®</sup> will warranty only parts provided by SuperATV<sup>®</sup>. Any damage or problems with OEM housings, bearings, seals, or other manufacturers' products will not be covered by SuperATV<sup>®</sup>. SuperATV<sup>®</sup> parts and products are not warranted if item was not installed properly, misused, or modified.

(kit contents continued)



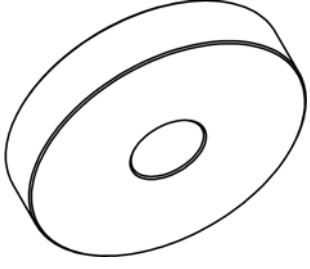
M8-1.25 x 30mm Lg. FHCS

8x



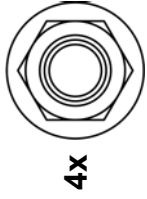
M8-1.25 Rivet Nut

6x



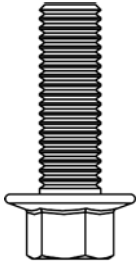
Spacer

2x



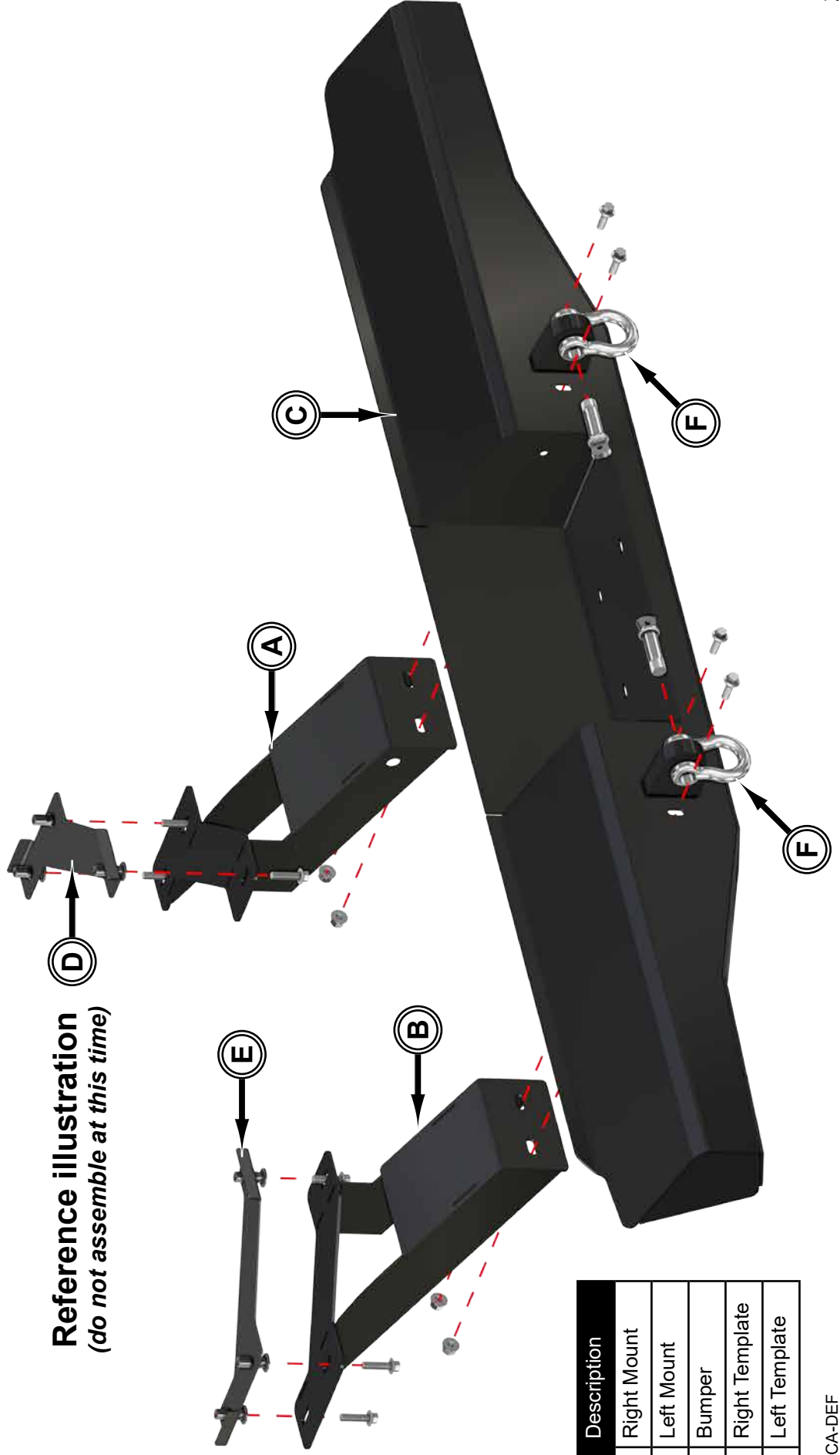
M8-1.25 Nylock Nut

4x



M8-1.25 x 25mm Lg. FHCS

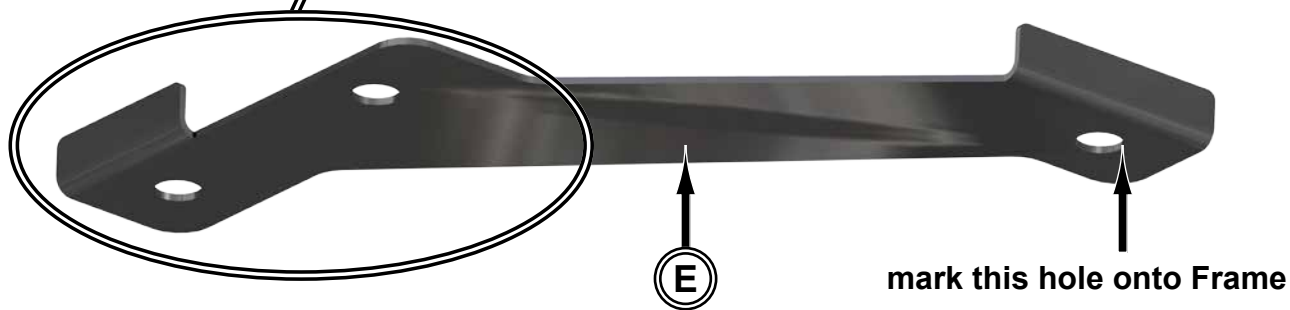
4x



**Reference illustration**  
(do not assemble at this time)

Item	Description
A	Right Mount
B	Left Mount
C	Bumper
D	Right Template
E	Left Template

- Place Left Template (E) against Frame and align holes as shown.
- Mark on Frame hole location in Left Template (E).
- Remove Left Template (E) and drill a  $\text{\O}1/2''$  hole in Frame.
- Repeat for opposite side.

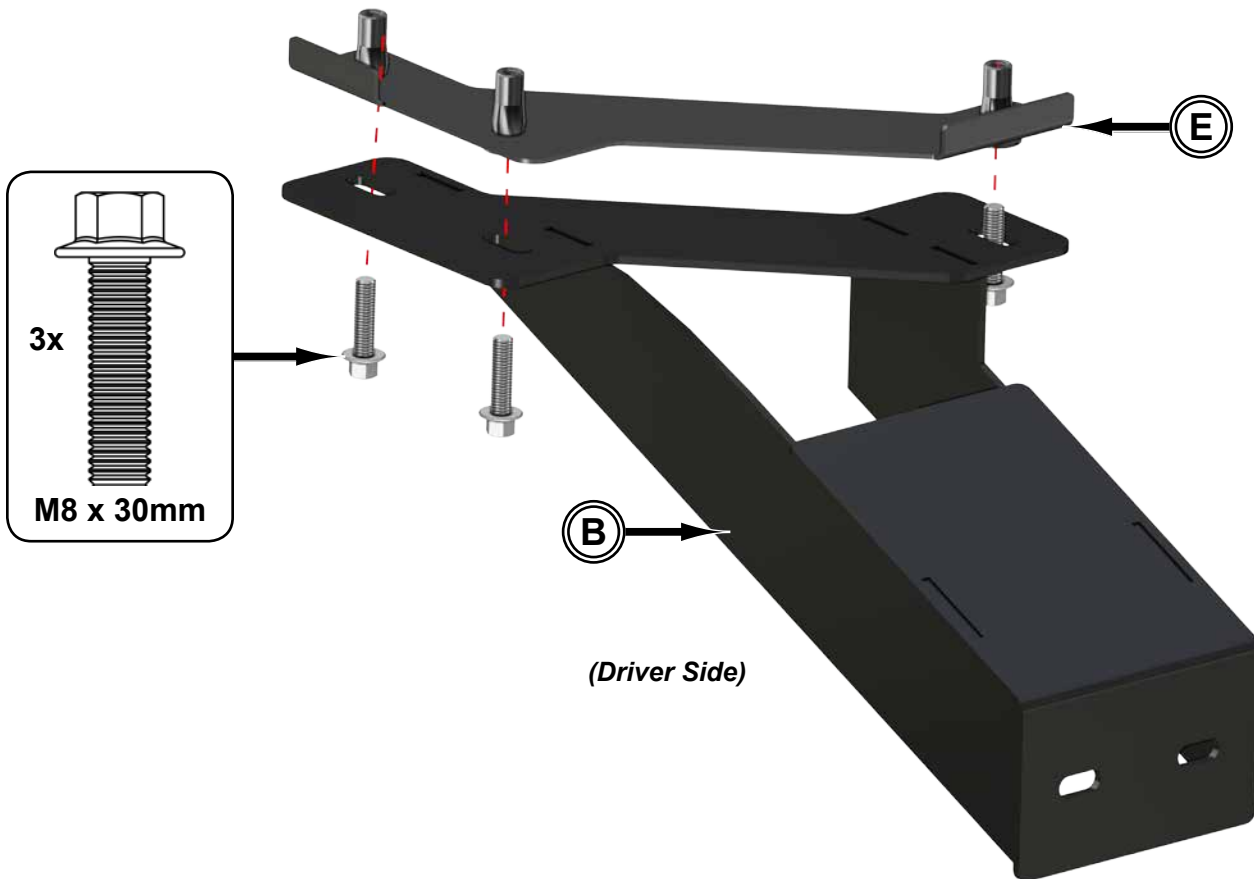


- Install Right Template (D) to Frame with hardware shown.
- Repeat for opposite side.

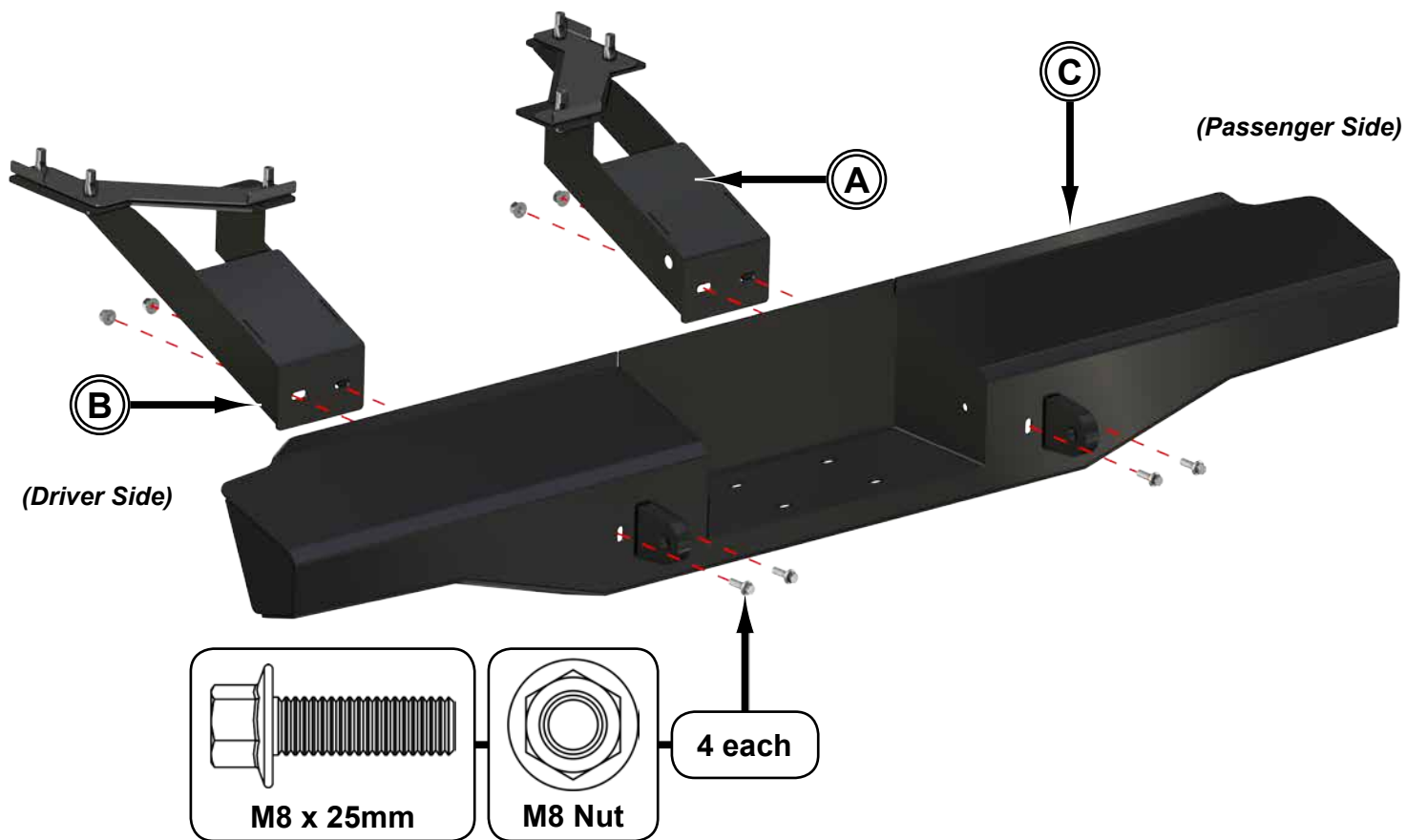


**Do not tighten hardware completely unless noted.**

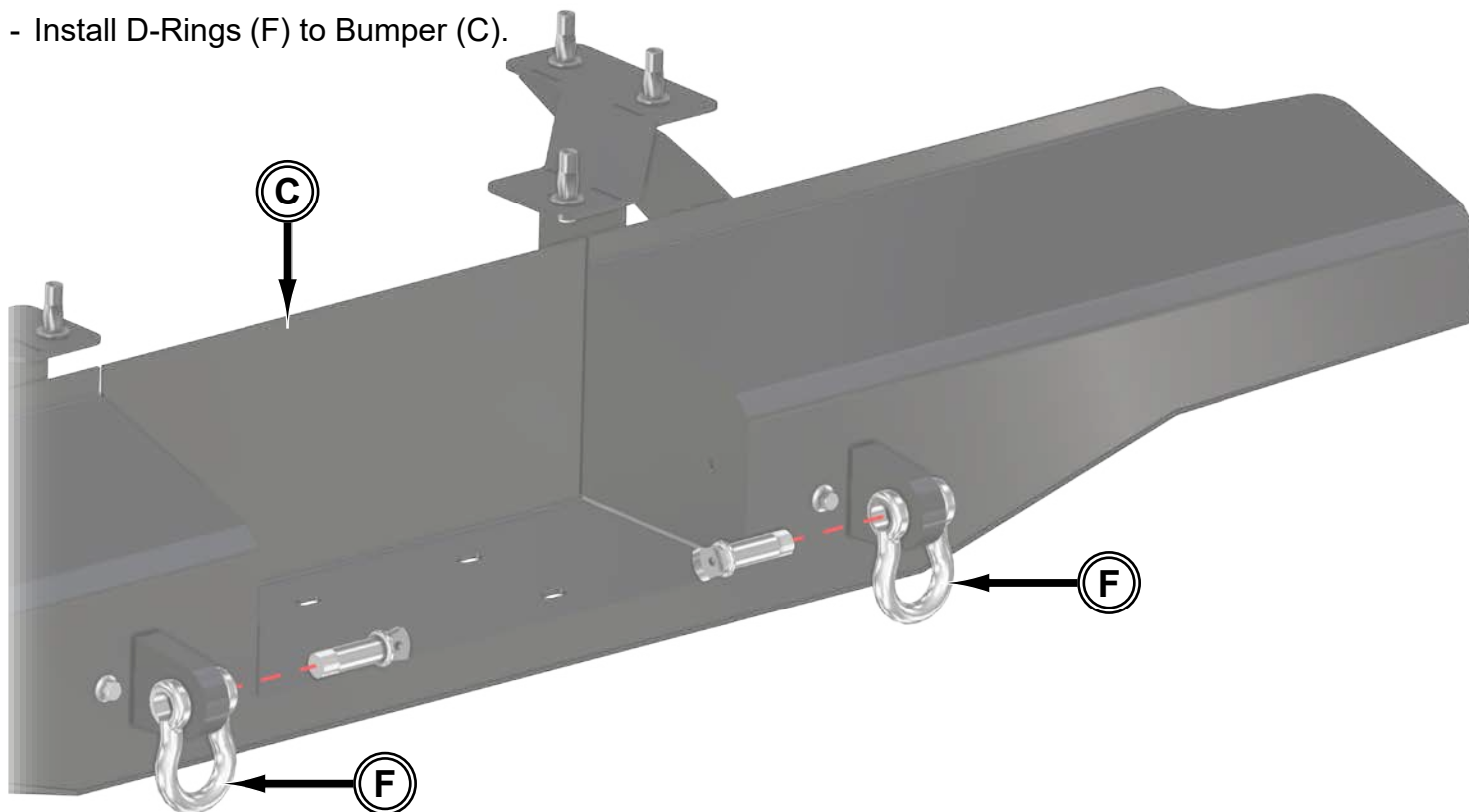
- Install Left Mount (B) to Left Template (E) and Frame with hardware shown.
- Repeat for opposite side.



- Install Bumper (C) to Right/Left Mounts (A)(B) with hardware shown.
- Align to machine and tighten all hardware completely.



- Install D-Rings (F) to Bumper (C).

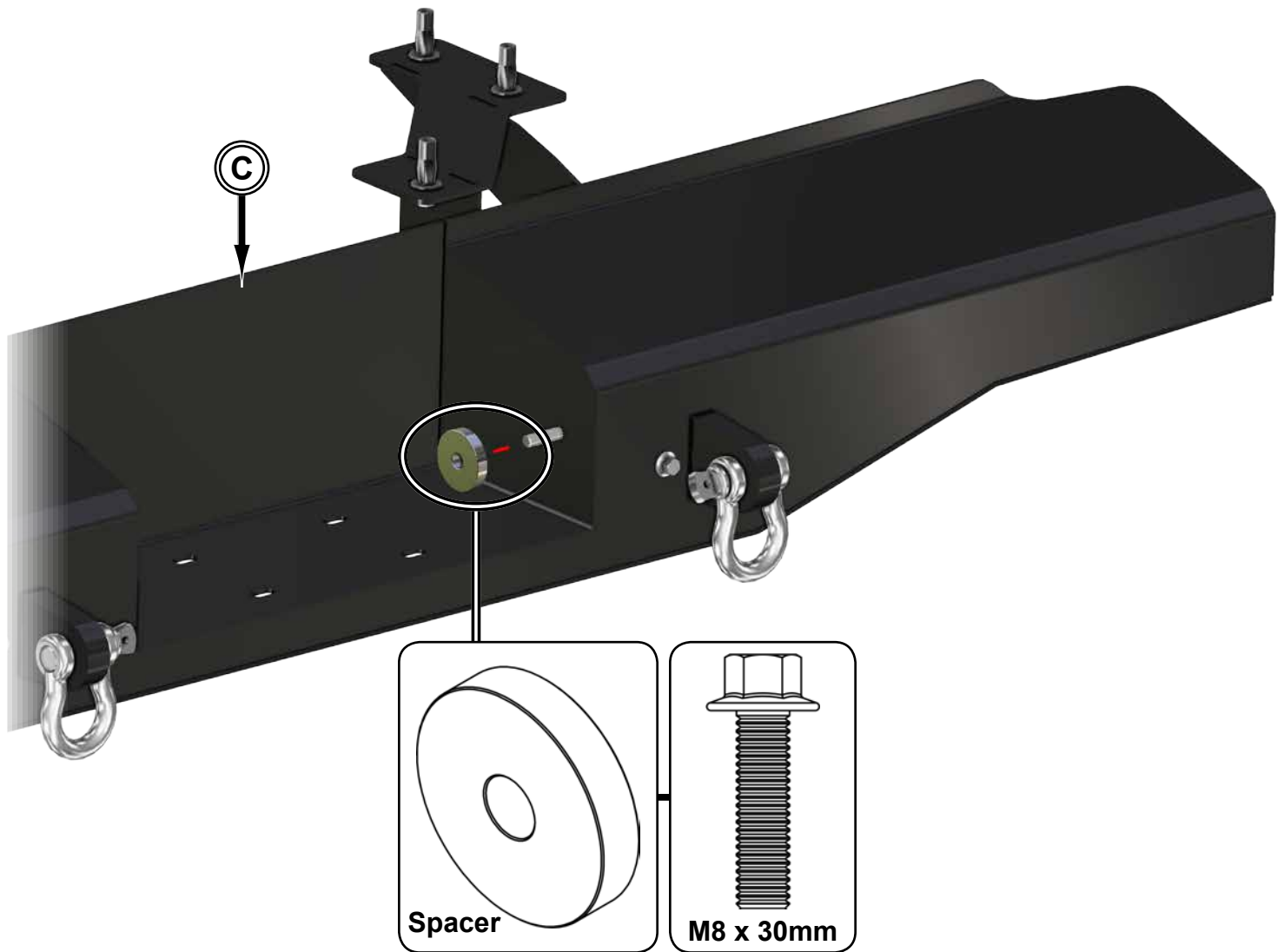
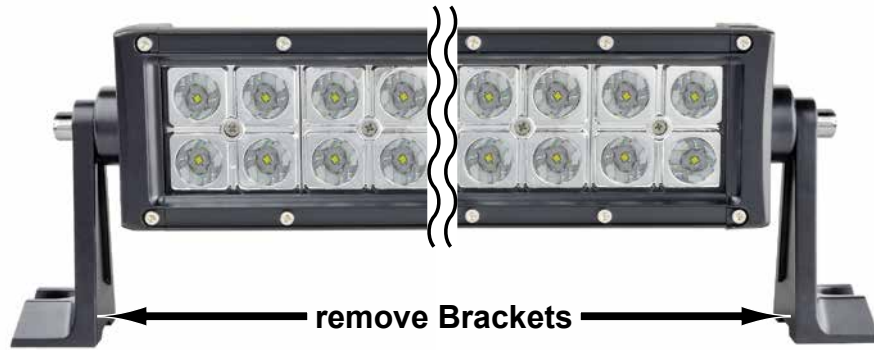


**STOP** If installing a Winch or LED lighting, see following pages.

**LB3-12 installation:**

- Remove brackets and hardware from light bar.
- Install SuperATV p/n LB3-12 LED Light to Bumper (C) with provided hardware and Spacers.

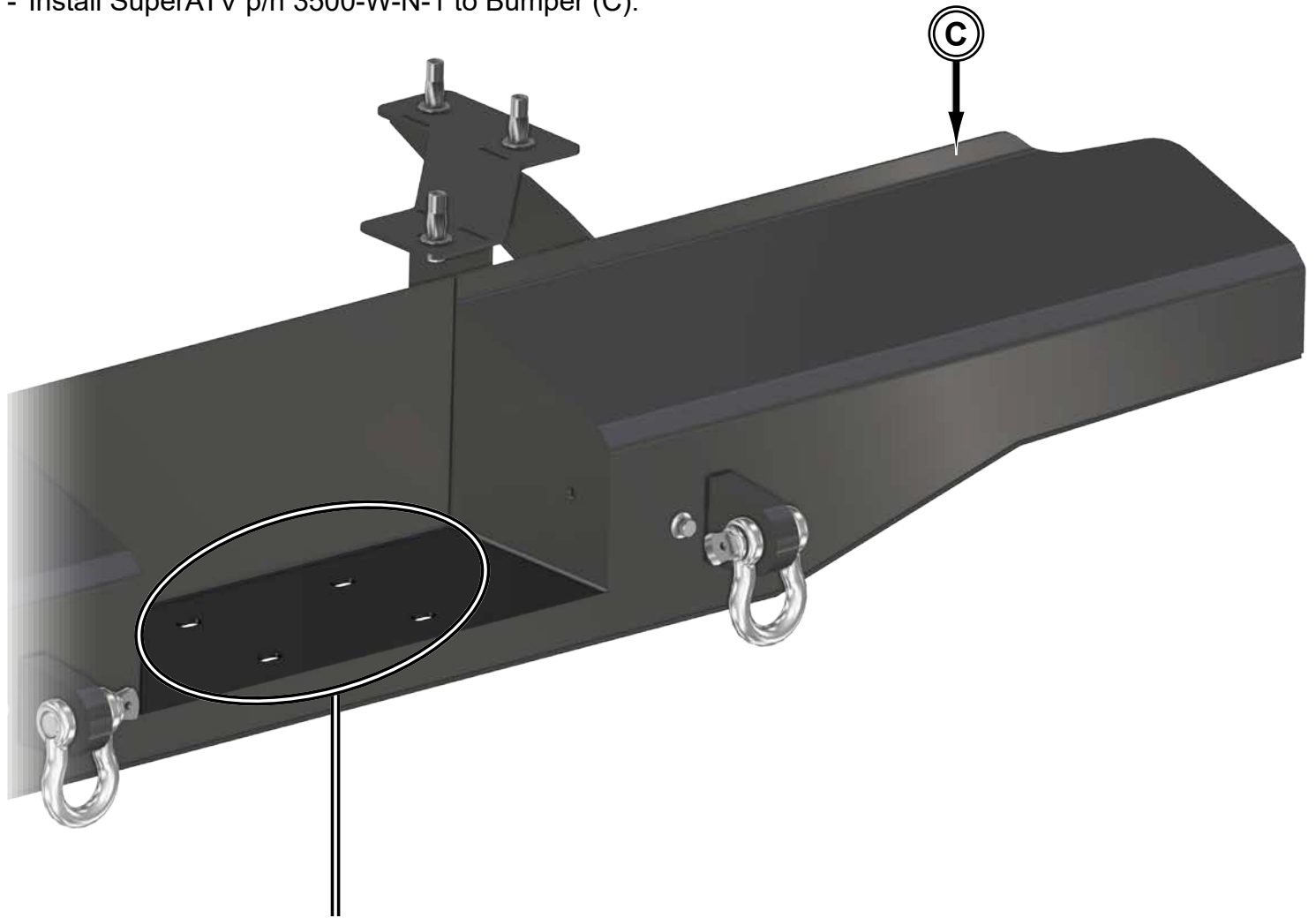
**SuperATV p/n LB3-12**



**See IN-LB3-12 for wiring instructions.**

**3500-W-N-1 installation:**

- Install SuperATV p/n 3500-W-N-1 to Bumper (C).



**Install to Bumper (C) with components and hardware supplied with Winch.**



*See Winch instructions for additional installation instructions.*